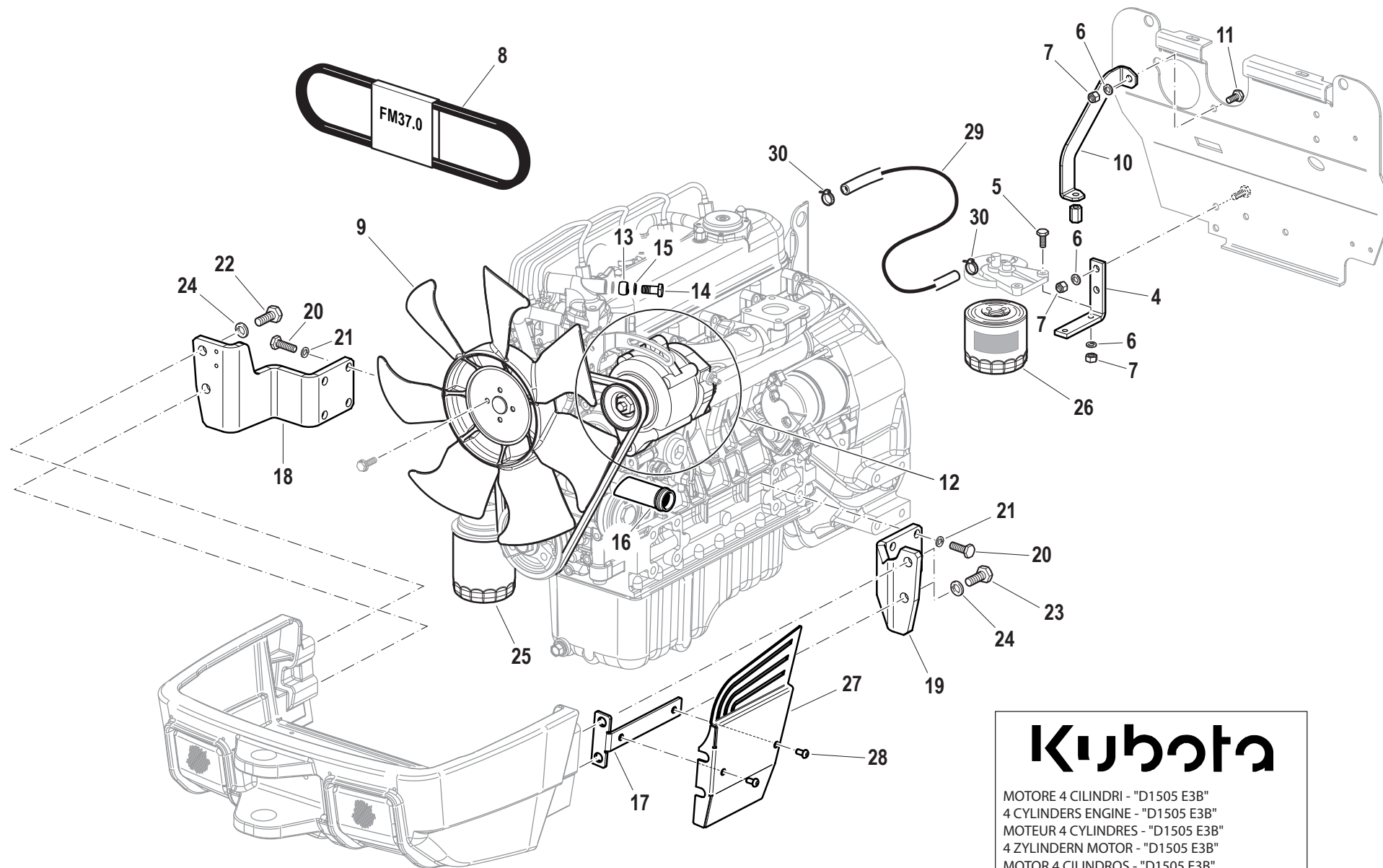


# Inhoudsopgave

## INHOUD

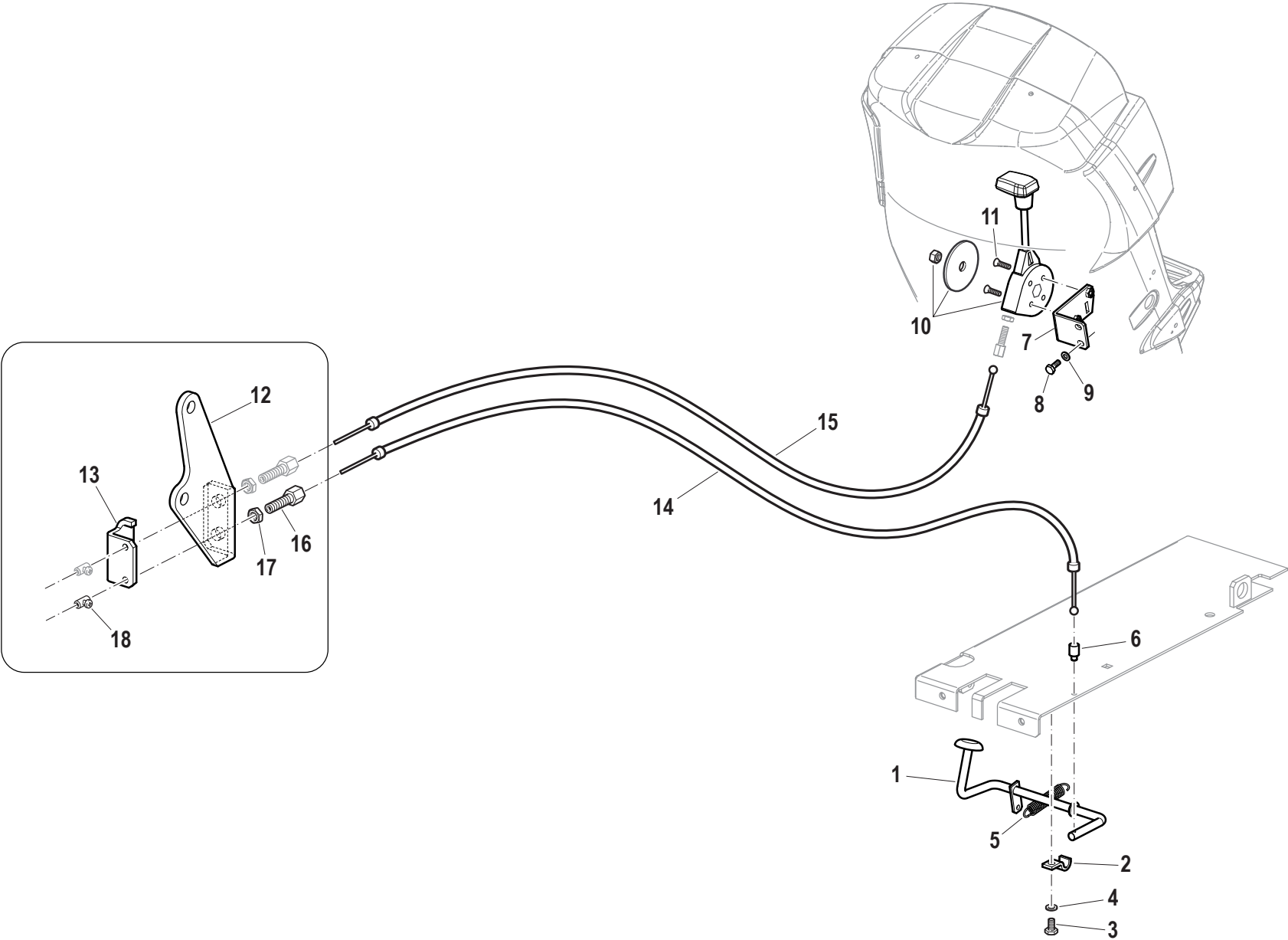
Accu & Kabels .....	77
Achteras Aandrijving .....	67
Achteras Behuizing .....	48
Banden & wielen .....	101
Brandstof Tank .....	10
Bumper & Motorkap Sluiting .....	14
Cardanas .....	44
Dashbord & Stuur .....	32
Differentieel Slot .....	69
Driepunt .....	95
Electro .....	79
Gaskabels .....	4
Hef .....	87
Hydrauliek Pomp & Filter .....	81
Hydrauliek Slangen .....	91
Hydrauliek Stuur .....	83
Koppeling .....	52
Luchtfilter .....	8
Motor Kubota .....	2
Motorkap .....	16
P.T.O. ....	71
P.T.O. Schakeling .....	73
Radiator .....	6
Rempedalen & Handrem .....	57
Schakel Hoes & Zitting Montage .....	34
Schakelpoken & Gaffels .....	65
Spatschermen Achter & Beugel .....	24
Spatschermen Voor & Rolbeugel .....	20
Stickers .....	28
Tandwielen .....	61
Tree Planken .....	22
Trekhaak .....	97
Uitlaat .....	12
Verlichting .....	75
Vooras Aandrijving .....	50
Vooras Behuizing .....	40
Zitting .....	36
Zwaailamp .....	105



**Kubota**

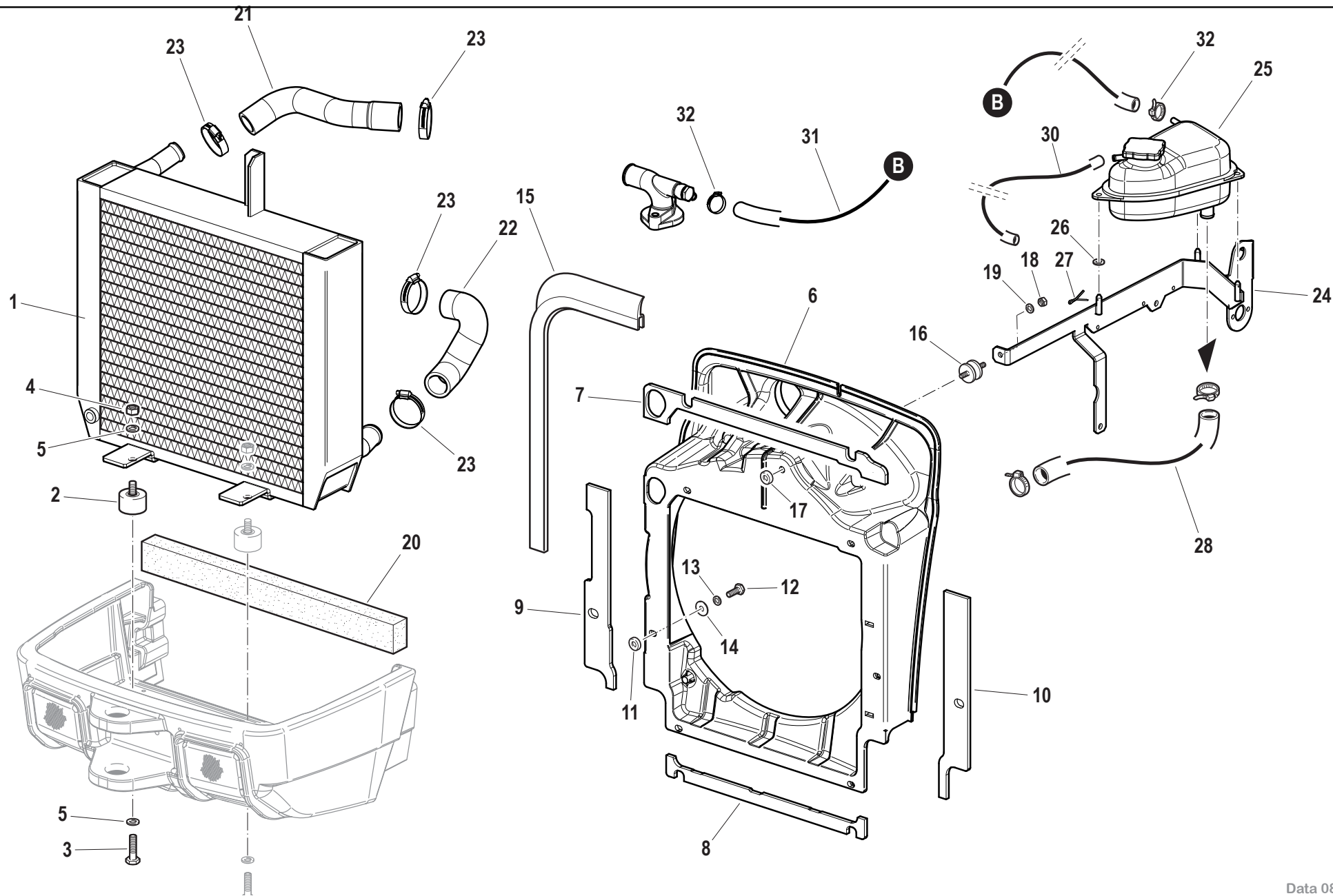
MOTORE 4 CILINDRI - "D1505 E3B"  
 4 CYLINDERS ENGINE - "D1505 E3B"  
 MOTEUR 4 CYLINDRES - "D1505 E3B"  
 4 ZYLINDER MOTOR - "D1505 E3B"  
 MOTOR 4 CILINDROS - "D1505 E3B"

Pos.	Code	Q.ty	Description	Notes
13	30000257	1	CONNECTION M12-5/16	
11	31111151	1	SCREW TE M8X16 UNI 5739 8G	
5	31112147	4	SCREW TE M8X18 UNI 5739 8G	
2	31112211	4	SCREW TE M10X30 UNI 5739	
1	31112214	2	SCREW TE M10X45 UNI 5739	
23	31112264	2	SCREW TE M12X35 UNI 5739	
22	31112272	2	SCREW TE M12X30 UNI 5739	
20	31112910	8	SCREW TE M10X1,25X25 UNI5740	
3	31152100	2	SCREW TCEI M10X40 UNI 5931 8G	
6	31211080	2	NUT M8	
14	560A1427	1	HOLLOW BOLT	
18	561A1372	1	FRONT SUPPORT RH BRACKET	
19	561A1373	1	FRONT SUPPORT LH BRACKET	
4	561A1374	1	OIL FILTER SUPPORT	
10	561A1477	1	RH ENGINE WALL BRACE	
27	561A1906N	1	EXHAUST PROTECTION	
29	580A0680	1	FLEXIBLE HOSE (8x15) L=570	
16	590A1426	1	ELBOW-COOLER PIPE	
17	590A1907	1	EXHAUST PROTECTION SUPPORT	
25	59901446	1	OIL FILTER CARTRIDGE	
26	59901447	1	FUEL FILTER CARTRIDGE	
12	59901451	1	ALTERNATOR	
9	59901453	1	ENGINE FAN	
8	59901455	1	ENGINE BELT	
7	F0843643060	6	WASHER 8	
21	F0843755000	8	WASHER 10 DIN 128-B	
15	F0843841000	2	COPPER WASHER 12,0x18/1,5	
24	F0843843060	4	WASHER 12	
28	F0862479034	2	SCREW M6X12 7380	
30	P979179000000	2	CLAMP 10-16	





Pos.	Code	Q.ty	Description	Notes
8	31112090	2	SCREW TE M6X16 UNI 5739 8G	
3	31112148	2	SCREW TE M8X18 UNI 5739 8G	
11	31132562	2	SCREW TSVEI M6X16 UNI 5933	
17	31231080	2	NUT M8	
2	56071768	2	PLATE	
16	56177656	2	REGISTER	
12	561A1375	1	ACCELERATOR CABLE ADJ. SUPPORT	
13	561A1376	1	ACCELERATOR CABLES STOP	
18	58048002	2	CLAMPING SCREW	
14	580A1564	1	ACCELERATOR CONTROL CABLE	
15	580A1565	1	HAND ACCELERAT. CONTROL CABLE	
6	58177111	1	SLEEVE	
7	590A1354	1	HAND ACCELERAT. FIXING PLATE	
1	590A1420	1	COMPLETE ACCELERATOR PEDAL	
5	F0831125000	1	SPRING	
9	F0843570000	2	WASHER 6	
4	F0843643060	3	WASHER 8	
10	P238106000000	1	ACCELERATOR	



Pos.	Code	Q.ty	Description	Notes
12	31112093	6	SCREW TE M6X20	
3	31112226	2	SCREW TE M10x18 UNI 5739	
18	31211060	2	HEXAGONAL NUT M8	
14	31411066	6	WASHER 6,6x18	
21	551A1295	1	COOLER WATER-IN-PIPE	
22	551A1296	1	COOLER WATER-OUT-PIPE	
28	551A1433	1	COOLER TUB PIPE	
6	552A1075	1	RADIATOR CONVEYOR	
11	561A1679	6	SPACER D.12x6,5/4	
17	561A1680	1	SPACER D.20x7,0/4	
20	573A0226	1	COOLER SPONGY GASKET	
25	58093053	1	CUP	
31	580A1569	1	HOSE R6(8x14)L=460	
2	58179783	2	SILENT-BLOCK	
1	581A1600	1	RADIATOR	
7	581A1690	1	COOLER UPPER GASKET	
8	581A1691	1	COOLER LOWER GASKET	
9	581A1692	1	COOLER RH SIDE BASKET	
10	581A1693	1	COOLER LH SIDE GASKET	
24	590A1371	1	COOLER TUB SUPPORT	
30	F0256112009	1	PIPE	
15	F0256809050	1	GASKET	
27	F0810510000	3	SPLIT PIN A2,0X20 UNI 1336	
4	F0814632000	2	NUT M10	
26	F0824022000	3	SPECIAL GASKET D.8,4X12/1	
13	F0843570000	6	WASHER 6	
19	F0843570000	2	WASHER 6	
5	F0843755000	4	WASHER 10 DIN 128-B	
16	F0849206005	1	SILENT-BLOCK	
29	P123298000000	2	CLAMP 16-25 SX9CW1	
23	P405339000000	4	CLAMP 25-40	
32	P979179000000	2	CLAMP 10-16	

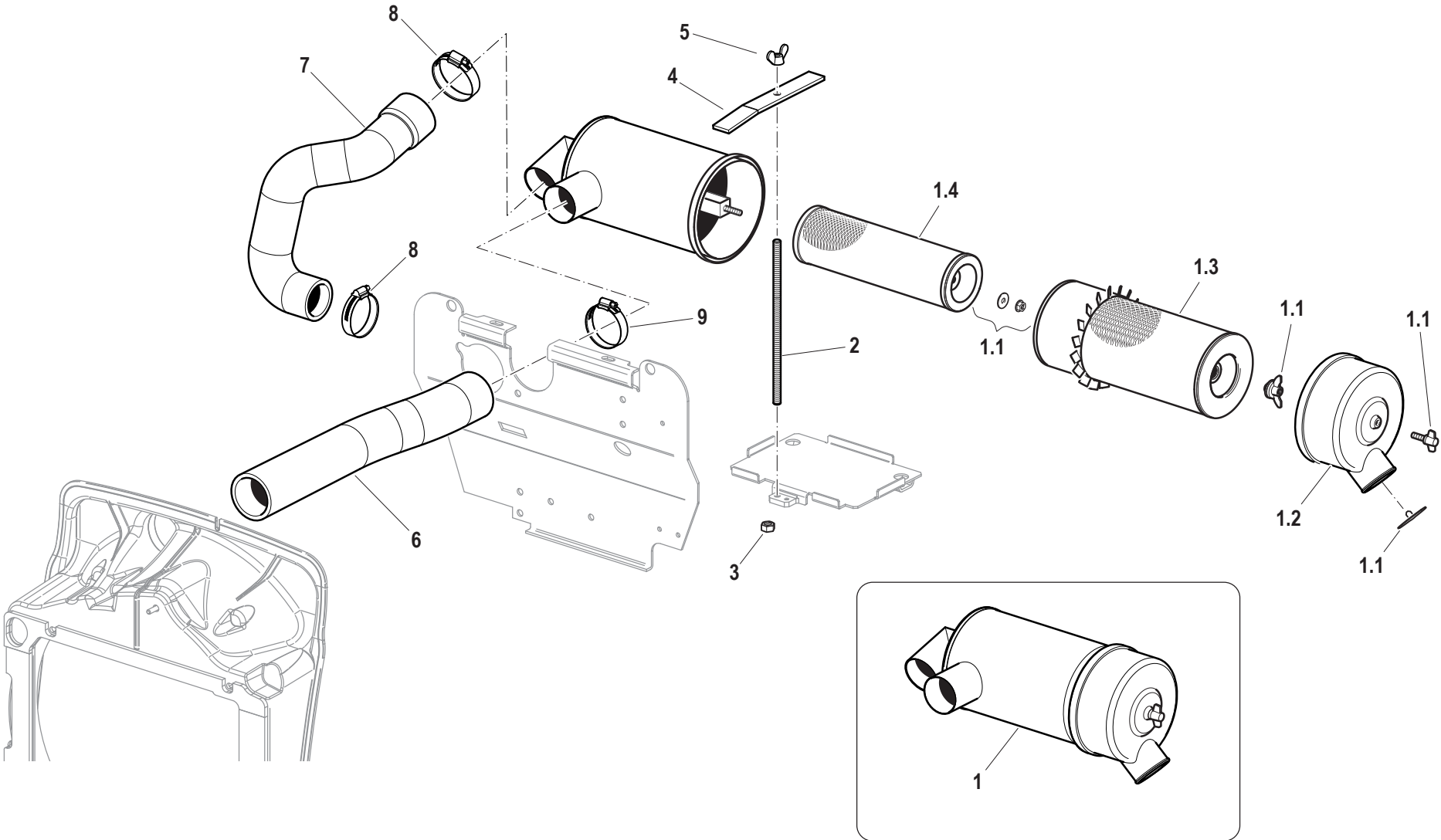
SERIAL

**RADIATORE**

CODE REV

**A.03.02.L20008\_0**

FILTRO ARIA

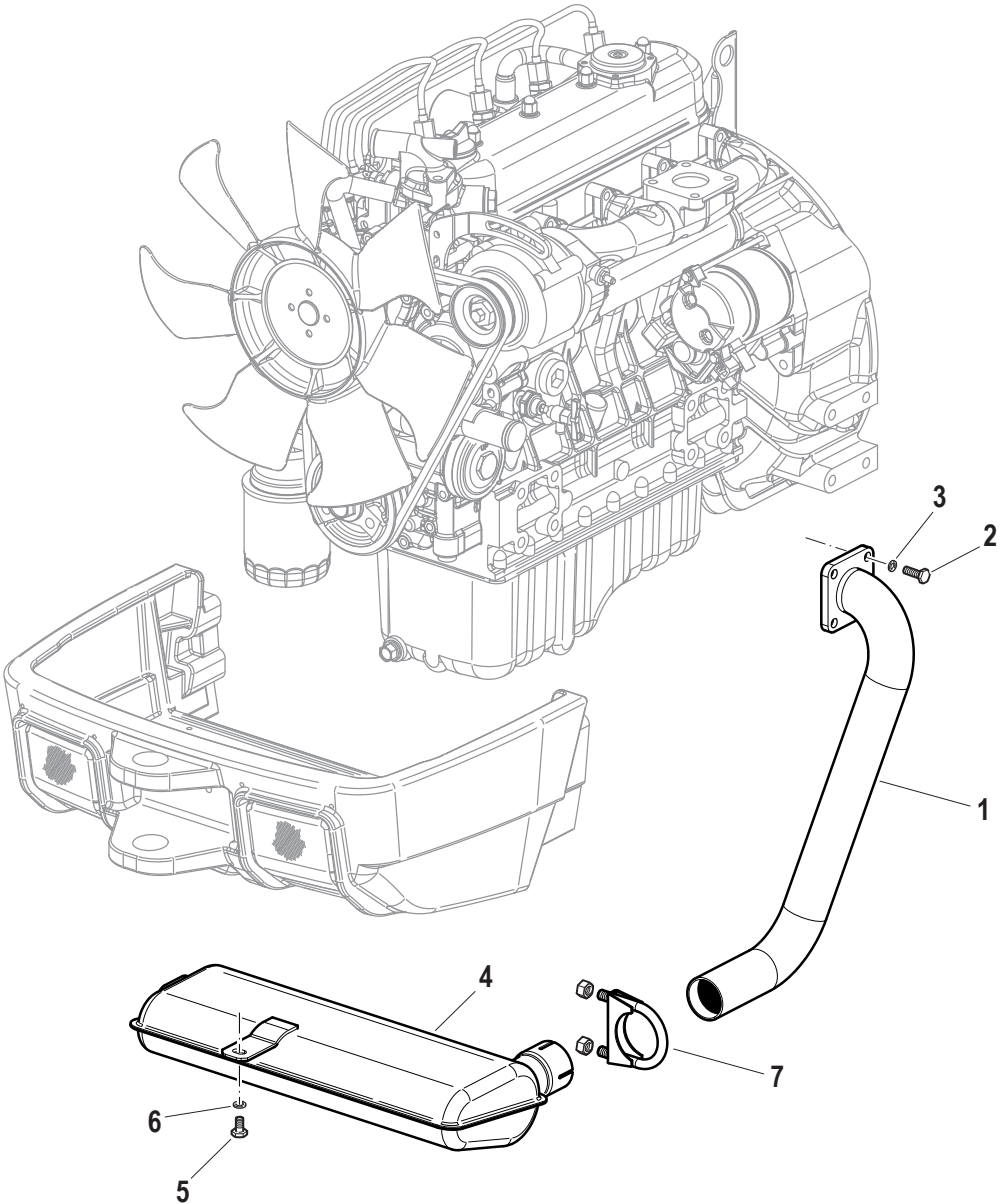


Pos.	Code	Q.ty	Description	Notes
5	31200501	1	NUT M8	
3	31211080	1	NUT M8	
6	551A1292	1	FILTER SUCTION PIPE	
7	551A1294	1	ENGINE AIR FILTER PIPE	
2	56174635	1	ROD	
4	561A1515	1	BATTERY FILTER BRACKET	
1.3	58172773	1	AIR FILTER CARTRIDGE	
1	581A1383	1	AIR FILTER	
1.4	59900144	1	FILTER INSERT	
1.2	59900347	1	COVER	
1.1	59900353	1	KIT	
9	F0817550100	1	CLAMP	
8	P453727000000	2	CLAMP 50-70	



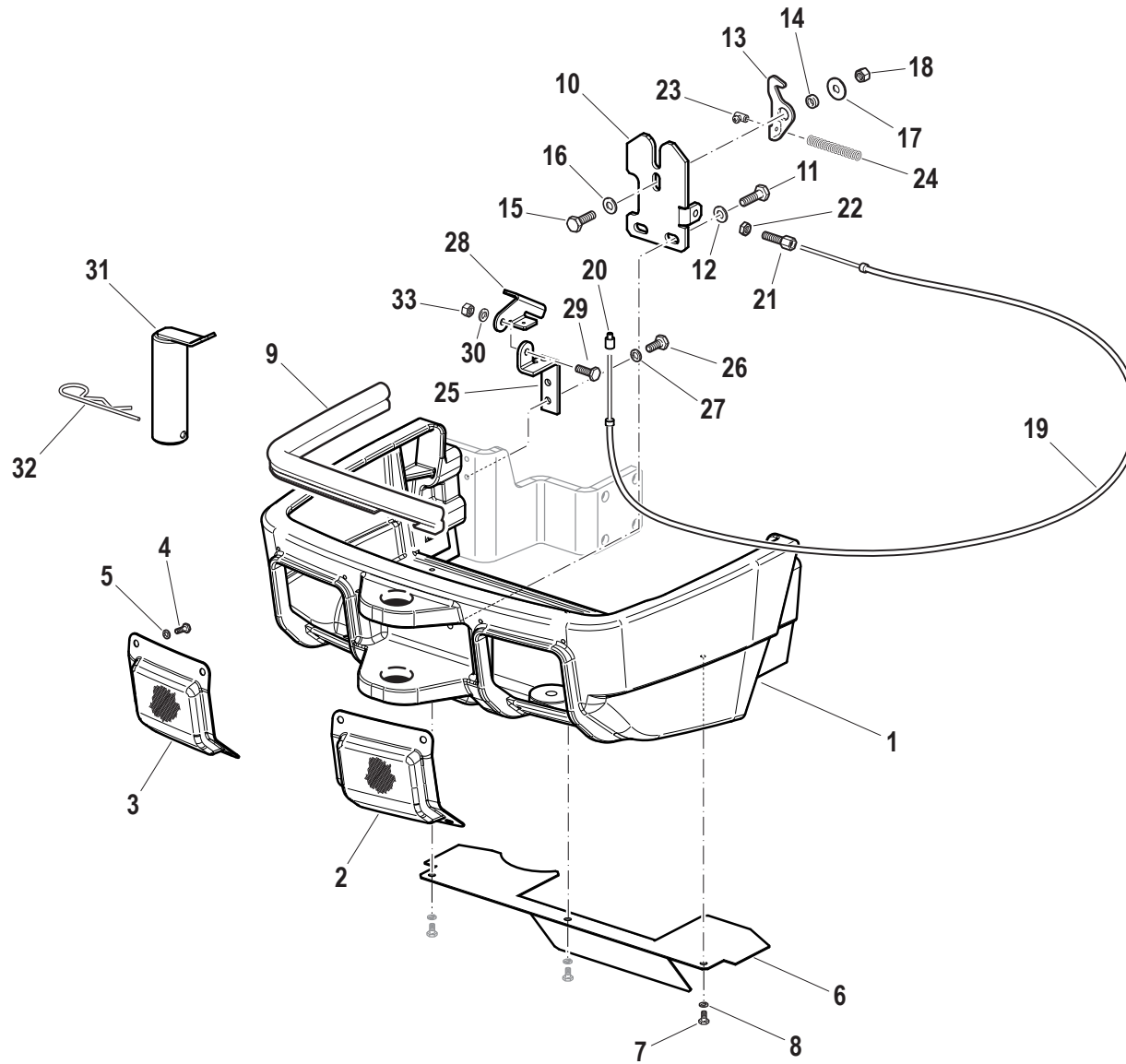
Pos.	Code	Q.ty	Description	Notes
24	28173187	1	LOW LEVEL GAUGE	
8	31111151	4	SCREW TE M8X16 UNI 5739 8G	
3	31111219	2	HEX SCREW M10X145 UNI 5739-5	
4	31112210	2	SCREW TE M10X20 UNI 5739	
10	31211080	6	NUT M8	
11	552A1049	1	FUEL TANK	
13	56077608	2	ROD M8x195	
2	560A1527	2	SPACER D.25x12,4/125	
15	56176696	2	SPACER D.14x9/155,5	
17	56176814	3	SPACER D.55x8/4	
6	561A1361	1	ENGINE TANK WALL	
14	561A1513	1	SPACER D.14x9/109	
12	561A1514	1	ROD M8x157	
11.3	57174915	1	PIPE FITTING	
25	57371900	1	LINING	
21	58074199	1	FLEXIBLE HOSE	
19	58075193	1	FLEXIBLE HOSE	
16	58076752	3	STOPPER	
7	58171901	1	CABLE GLAND 15,5-24-32-2	
1	590A1478	1	TANK SUPPORT	
18	590A1483	1	BATTERY SUPPORT	
22	F0817505100	2	CLAMP	
23	F0825414000	2	CABLE GLAND 7-15-18,5-2,5	
9	F0843643060	4	WASHER 8	
5	F0843755000	4	WASHER 10 DIN 128-B	
11.1	F0849500001	1	TANK COVER	
11.2	F0849500002	1	FILTER	
20	P979179000000	2	CLAMP 10-16	

MARMITTA





Pos.	Code	Q.ty	Description	Notes
5	31111151	1	SCREW TE M8X16 UNI 5739 8G	
2	31112150	4	SCREW TE M8X20 UNI 5739 8G	
7	58173010	1	COLLAR	
4	581A1200N	1	EXHAUST SILENCER	
1	590A1197N	1	EXHAUST PIPE (BLACK)	
3	F0843643060	4	WASHER 8	
6	F0843643060	1	WASHER 8	



Pos.	Code	Q.ty	Description	Notes
9	28177274	1	GASCKET RIF.182400153.945	
7	31111090	3	SCREW TE M5X10 UNI 5739 8G	
26	31112082	2	SCREW TE M6X12 UNI 5739 8G	
29	31112090	1	SCREW TE M6X16 UNI 5739 8G	
11	31112150	2	SCREW TE M8X20 UNI 5739 8G	
15	31112151	1	SCREW TE M8X25 UNI 5739 8G	
22	31231080	1	NUT M8	
18	31241080	1	HEXAGON SELFLOCK NUT M8	
5	31411053	8	WASHER 5,3x10	
30	31411064	1	WASHER 6,4x12,5	
12	31411084	2	WASHER 8,4x17	
16	31411084	1	WASHER 8,4x17	
17	31411090	1	WASHER 9x24	
1	511A1170N	1	FRONT SUPPORT 35-45CV BLACK	
13	56174658	1	HOOD HOOK	
14	56174659	1	SPACER D.14x9/4,7	
21	56177656	1	REGISTER	
10	56179625	1	FIXING BRACKET	
28	561A0642	1	LEVER	
2	561A1244N	1	FRONT SUPPORT LH GRILL	
3	561A1245N	1	FRONT SUPPORT RH GRILLE	
25	561A1377	1	LEVER BEARING	
6	561A1523	1	LOWER SHEET 35-45CV	
23	58048002	1	CLAMPING SCREW	
19	58074831	1	CABLE	
20	58177111	1	SLEEVE	
31	590A1480	1	PIN	
33	F0814547000	1	SELFLOCK NUT M6	
24	F0831065000	1	SPRING	
27	F0843570000	2	WASHER 6	
8	F0843570000	3	WASHER 6	
32	F0851497000	1	SPLIT PIN	
4	F0861928000	8	SCREW M5X10 ISO 7380	

SERIAL

**SUPPORTO ANTERIORE**

CODE REV

**B.01.01.L20001\_0**



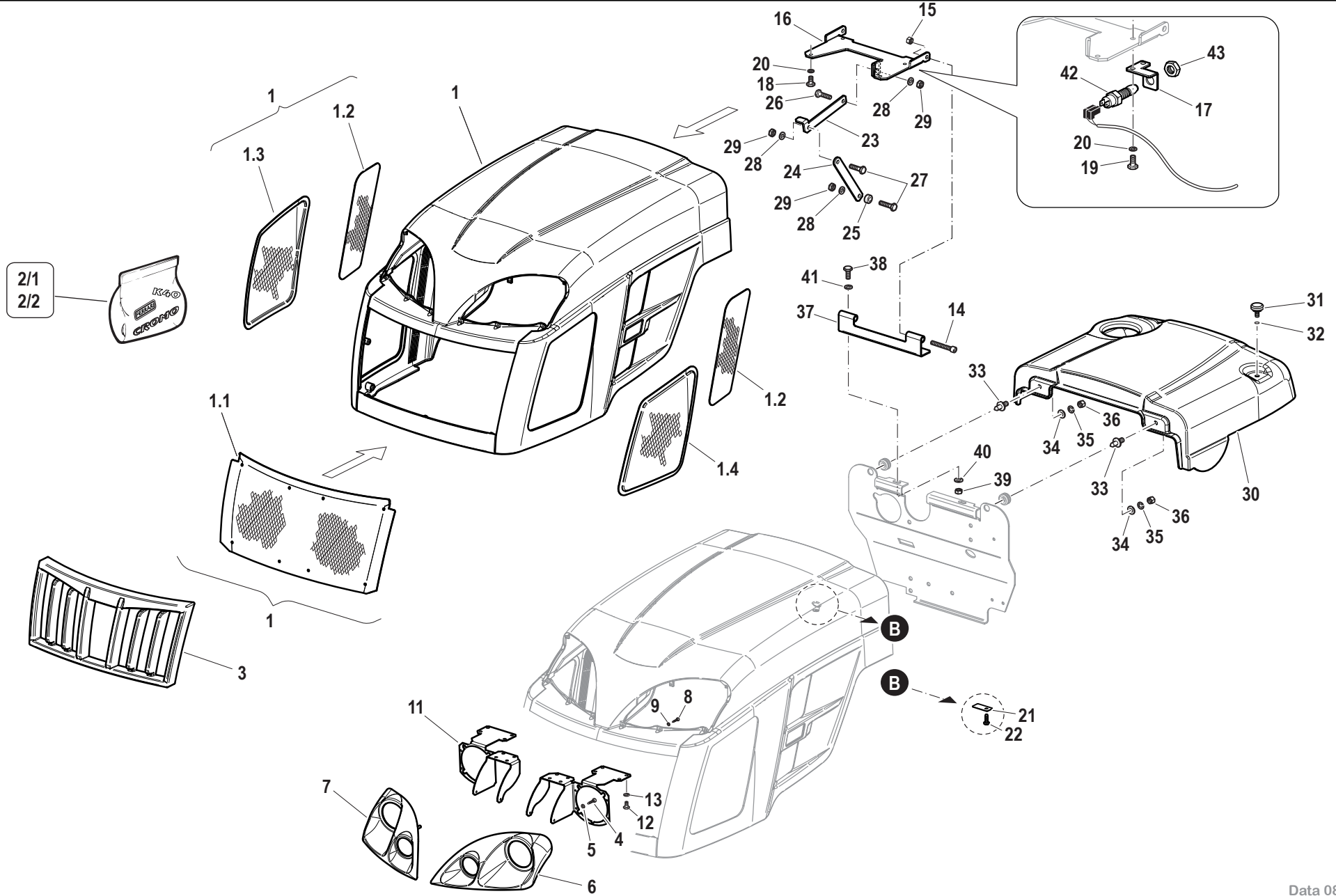
Pos.	Code	Q.ty	Description	Notes
42	30000638	1	SWITCH	
18	31111091	3	SCREW E M6X14 UNI 5739 8G	
12	31112082	8	SCREW TE M6X12 UNI 5739 8G	
19	31112090	2	SCREW TE M6X16 UNI 5739 8G	
27	31112150	2	SCREW TE M8X20 UNI 5739 8G	
38	31112150	2	SCREW TE M8X20 UNI 5739 8G	
26	31112152	1	SCREW TE M8X30 UNI 5739 8G	
14	31152088	2	SCREW TCEI M8X55 UNI 5931	
36	31211080	2	NUT M8	
39	31211080	2	NUT M8	
43	31231161	1	NUT M16X1,5	
15	31241081	2	HEXAGON SELFLOCK NUT	
29	31241081	3	HEXAGON SELFLOCK NUT	
5	31411043	8	WASHER 4,3X9	
28	31411084	3	WASHER 8,4x17	
34	31411084	2	WASHER 8,4x17	
41	31411084	2	WASHER 8,4x17	
9	31413042	10	WASHER 3,2	
8	31510090	10	RIBBED SCREW TC 2,9x13 U/6954	
4	31510092	8	RIBBED SCREW 3,5X16AB UNI6954	
32	35211060	1	SEEGER RING E 6 UNI 7434	
7	552A1071	1	RH LIGHT COVER	
6	552A1072	1	LH LIGHT COVER	
3	552A1073	1	FRONT GRILLE	
30	552A1074V	1	TANK COVER	
1.1	560A1303N	1	FRONT GRILLE	
1.3	560A1305N	1	LH FRONT GRILL	
1.4	560A1306N	1	RH FRONT GRILL	
1.2	560A1307N	2	REAR SIDE GRILLE	
25	56172079	1	SPACER D.18x9/9	
31	56174835	1	KNOB	
21	56179997Z	3	CONTROL PLATE	
37	561A0084	1	HOOD HINGE	
16	561A1320	1	HOOD HINGE	

SERIAL

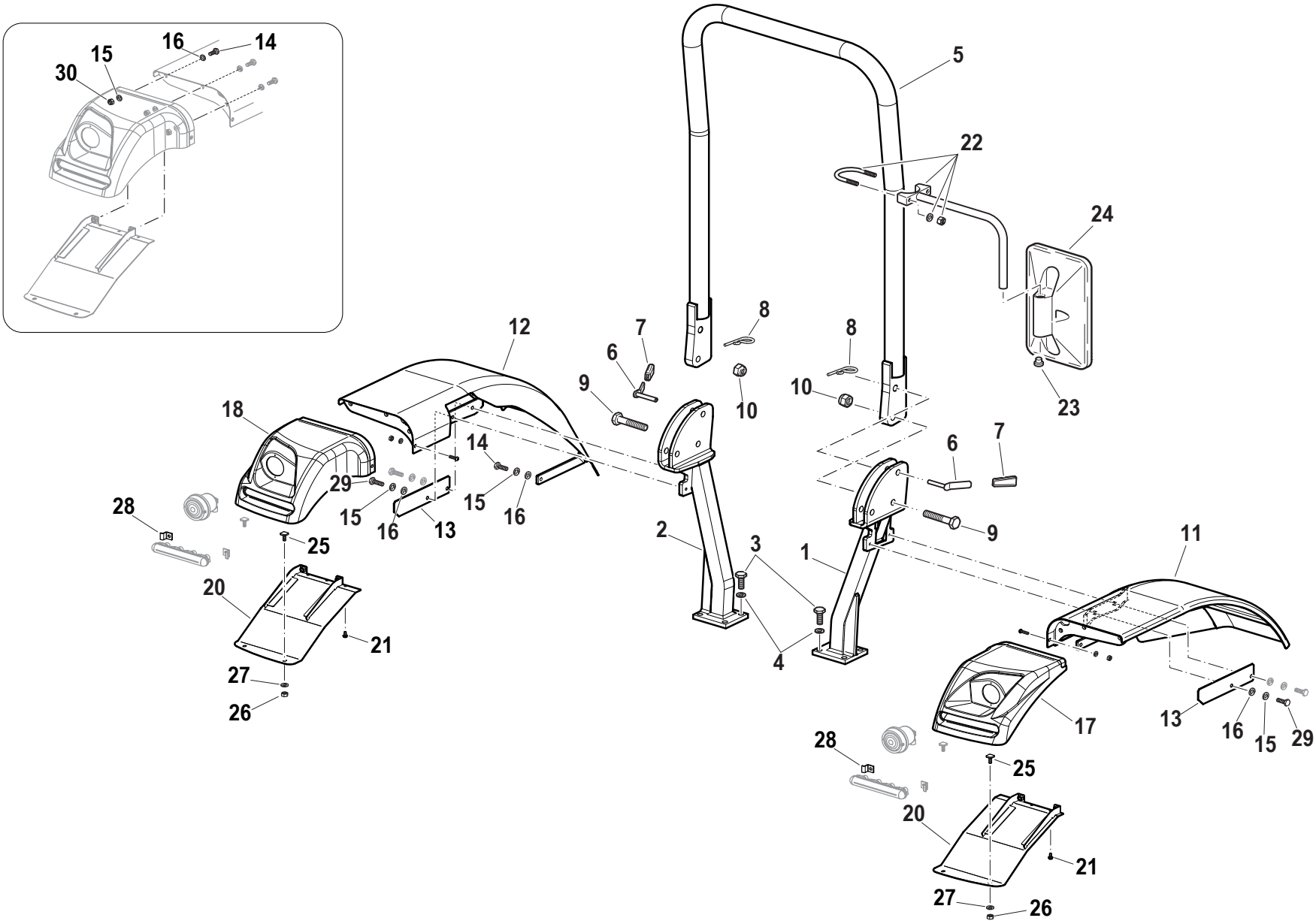
COFANO

CODE REV

B.02.04.L2008\_0

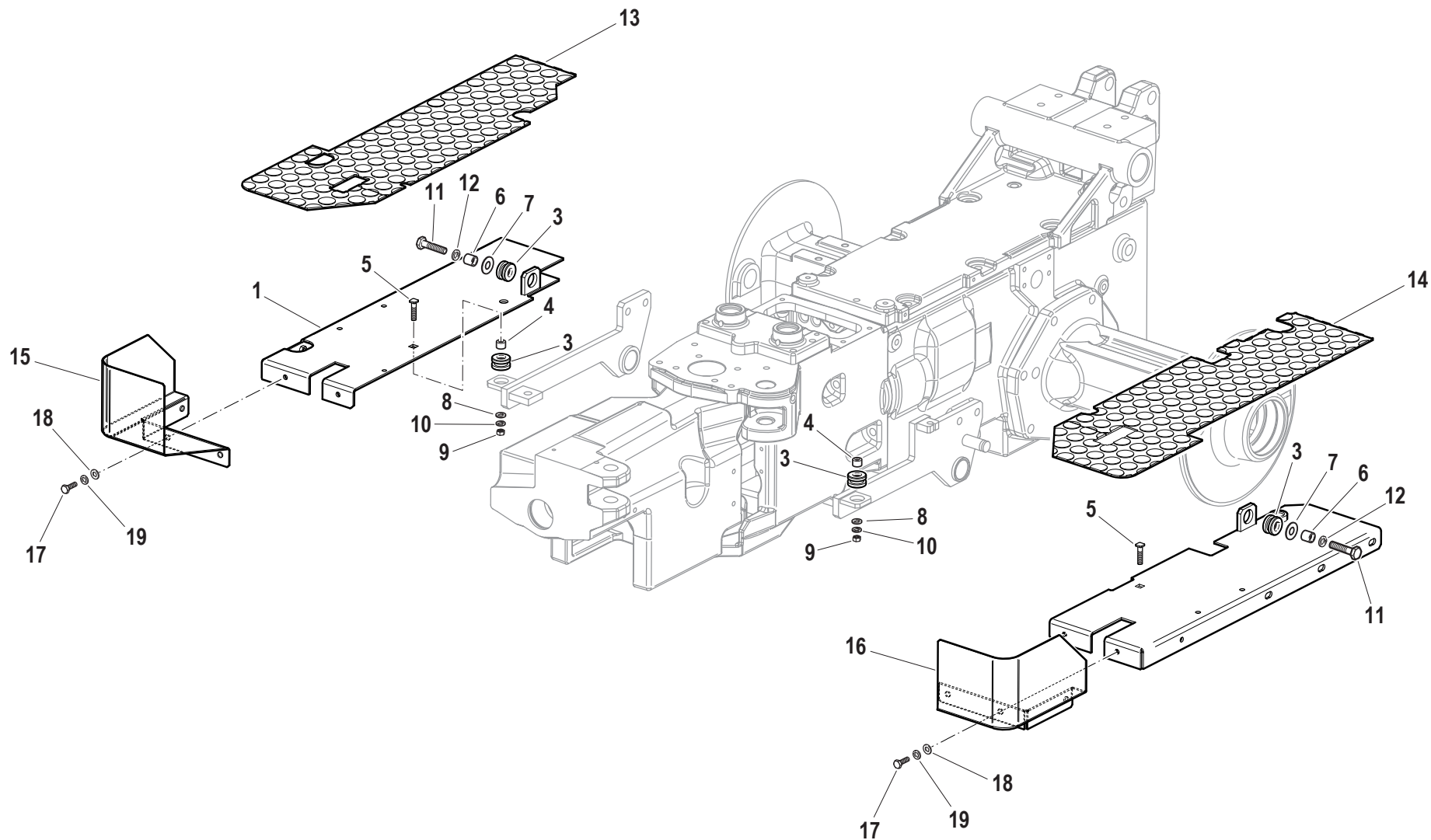


Pos.	Code	Q.ty	Description	Notes
10	561A1358	1	LIGHT SUPPORT LH BRACKET	
11	561A1359	1	LIGHTS SUPPORT RH BRACKET	
17	561A1519	1	MICROSWITCH SUPPORT	
23	561A1590	1	UPPER HINGE	
24	561A1591Z	1	LOWER HINGE	
33	59074662	2	PIN	
1	590A1310V	1	COMPLETE HOOD	
2	59901433	1	HOOD DECALS KIT	
42	F0825414000	2	CABLE GLAND 7-15-18,5-2,5	
13	F0843570000	8	WASHER 6	
20	F0843570000	5	WASHER 6	
35	F0843643060	2	WASHER 8	
40	F0843643060	2	WASHER 8	
22	F0861830100	3	RIBBED SCREW 3,9X13AB DIN7981	

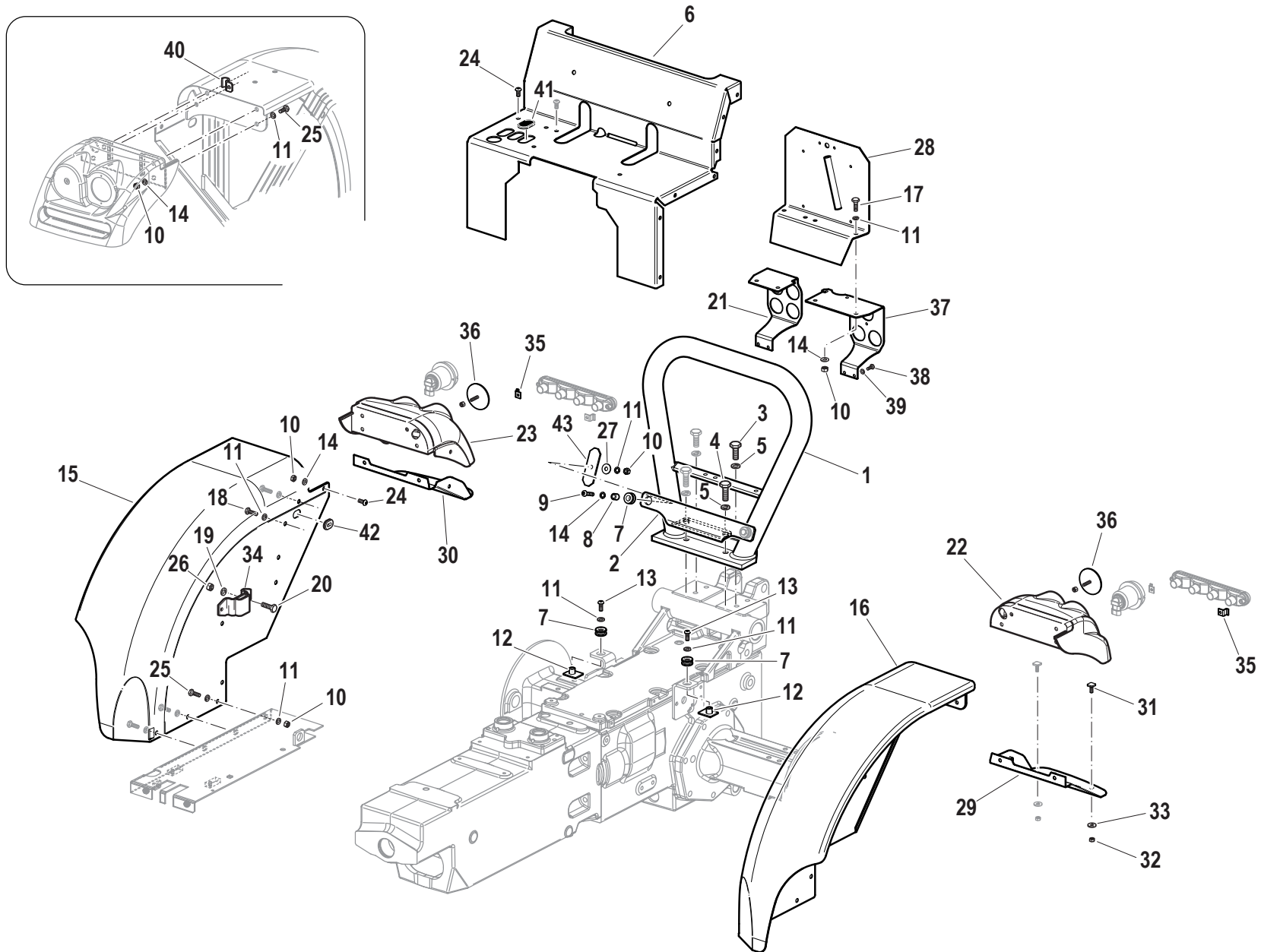




Pos.	Code	Q.ty	Description	Notes
24	30000514	1	REAR VIEW MIRROR	
29	31112147	4	SCREW TE M8X18 UNI 5739 8G	
14	31112150	6	SCREW TE M8X20 UNI 5739 8G	
3	31112272	8	SCREW TE M12X30 UNI 5739	
30	31211080	6	NUT M8	
27	31411064	4	WASHER 6,4x12,5	
15	31411084	10	WASHER 8,4x17	
17	55279804	1	LAMP HOLDER	
18	55279805	1	LAMP HOLDER	
28	56177045	4	RETAINER	
13	561A1575F	2	LIGHTS CABLE PROTECTION	
25	58079929	4	SCREW M6x16 CH.14	
23	58170968	1	PLUG	
22	59070591	1	SUPPORT	
6	59076690	2	HINGE PIN	
20	590A0848	1	GUARD	
19	590A0849	1	GUARD	
1	590A1253	1	FRONT ROLL-BAR LH COLUMN	
2	590A1254	1	FRONT ROLL-BAR RH COLUMN	
5	590A1278N	1	SAFETY ROLL BAR	
11	590A1329V	1	LEFT FRONT FENDER	
12	590A1341V	1	RIGHT FRONT FENDER	
26	F0814547000	4	SELFLOCK NUT M6	
10	F0814794000	2	SELFLOCK NUT M16 CL.6	
16	F0843643060	10	WASHER 8	
4	F0843843060	8	WASHER 12	
21	F0861831000	6	RIBBED SCREW 4,8X13 UNI 6950	
9	F0864377000	2	SCREW M16X70 UNI 5737	
8	P439149000000	2	SPLIT PIN 3,5x72	
7	P917280000000	2	GRIP	



Pos.	Code	Q.ty	Description	Notes
17	31112147	2	SCREW TE M8X18 UNI 5739 8G	
11	31112213	2	SCREW TE M10X40 UNI 5739	
9	31211080	2	NUT M8	
18	31411084	2	WASHER 8,4x17	
8	31411090	2	WASHER 9x24	
3	55175174	4	BLOCK	
6	56171954	2	SPACER D.14x10/13	
4	56171996	2	SPACER D.14x8,5/13	
15	561A1458N	1	RH PLATFORM PROTECTION	
16	561A1459N	1	LH PLATFORM PROTECTION	
13	573A1530	1	RH PLATFORM COVER	
14	573A1531	1	LH PLATFORM COVER	
5	580A0361	2	SCREW M8x35 8.8	
1	590A1412	1	COMPLETE RH PLATFORM	
2	590A1414	1	COMPLETE LH PLATFORM	
10	F0843643060	2	WASHER 8	
19	F0843643060	2	WASHER 8	
12	F0843755000	2	WASHER 10 DIN 128-B	
7	F0843818000	4	WASHER 11x30/2,5	



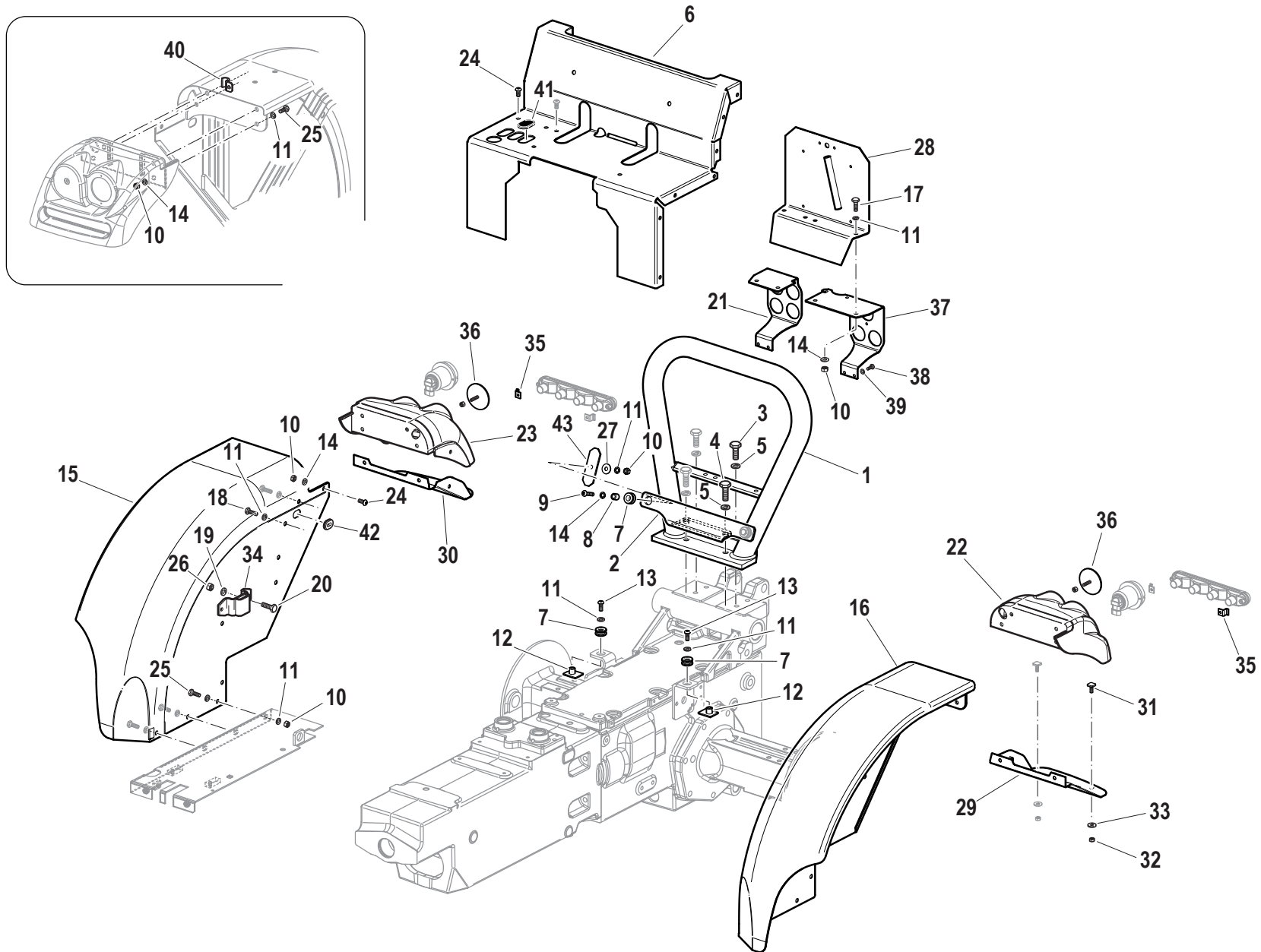
Pos.	Code	Q.ty	Description	Notes
25	31111151	14	SCREW TE M8X16 UNI 5739 8G	
38	31112090	2	SCREW TE M6X16 UNI 5739 8G	
18	31112147	14	SCREW TE M8X18 UNI 5739 8G	
17	31112151	2	SCREW TE M8X25 UNI 5739 8G	
20	31112208	2	SCREW TE M10X16 UNI 5739	
3	31112264	2	SCREW TE M12X35 UNI 5739	
13	31121007	2	SCREW BCEI M8X20 ISO7380	
9	31121017	2	SCREW TBCEI M8x35	
10	31211080	22	NUT M8	
26	31212100	2	NUT M10	
33	31411064	4	WASHER 6,4x12,5	
14	31411084	34	WASHER 8,4x17	
27	31411090	2	WASHER 9x24	
19	31411105	20	WASHER 10,5x21	
7	55175174	4	BLOCK	
22	55279806	1	LAMP HOLDER	
23	55279807	1	LAMP HOLDER	
8	56171996	2	SPACER D.14x8,5/13	
35	56177045	4	RETAINER	
37	561A1327	1	QUICK COUPLING LH BRACKET	
21	561A1328	1	QUICK COUPLING RH BRACKET	
2	561A1356	1	CROSSPIECE FIXATION BRACKET	
43	561A1432F	1	PLATE	
31	58079929	4	SCREW M6x16 CH.14	
42	58171901	2	CABLE GLAND 15,5-24-32-2	
36	58177330	2	REFLECTOR	
41	581A1561	1	OVAL PLUG 50X30	
34	59070592	1	LEVER BEARING	
30	590A0058	1	COVER	
15	590A1308V	1	LEFT REAR FENDER	
16	590A1322V	1	RIGHT REAR FENDER	
6	590A1323V	1	REAR CROSSPIECE	
1	590A1350	1	FRAME	
29	590A1381	1	PROTECTION TOOL LH REAR LAMP	

SERIAL

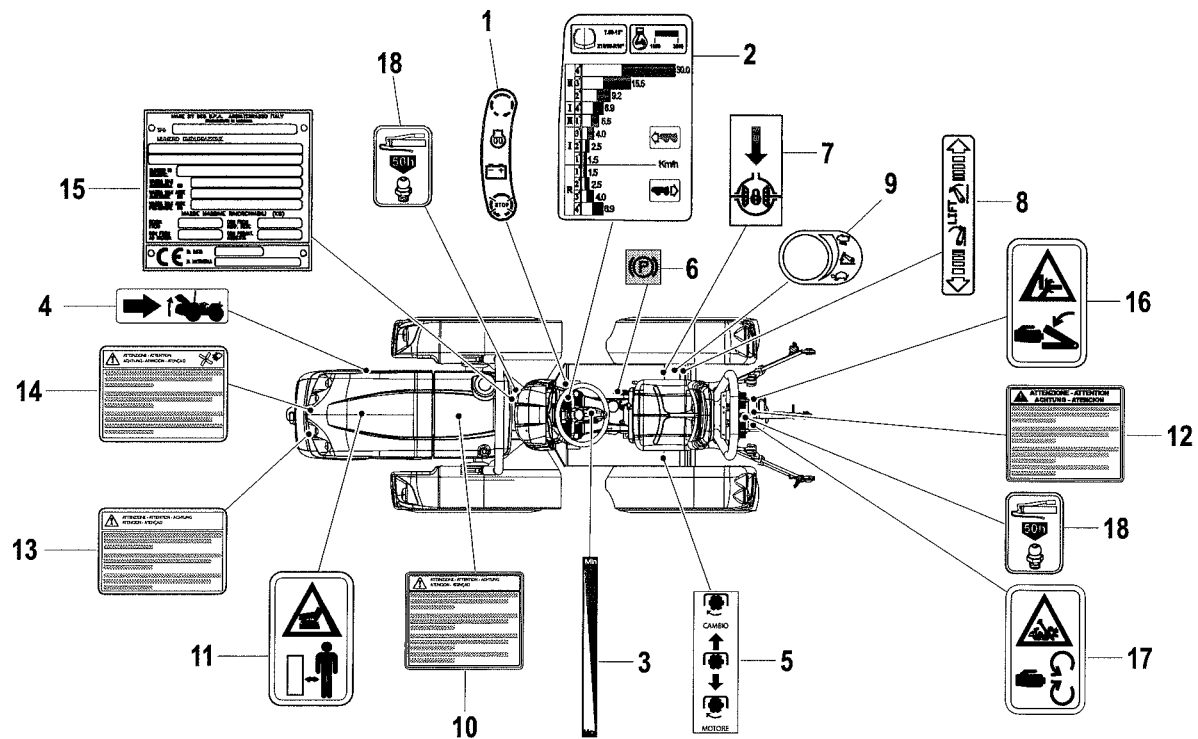
**PARAFANGHI POSTERIORI**

CODE REV

**B.05.03.L20002\_0**

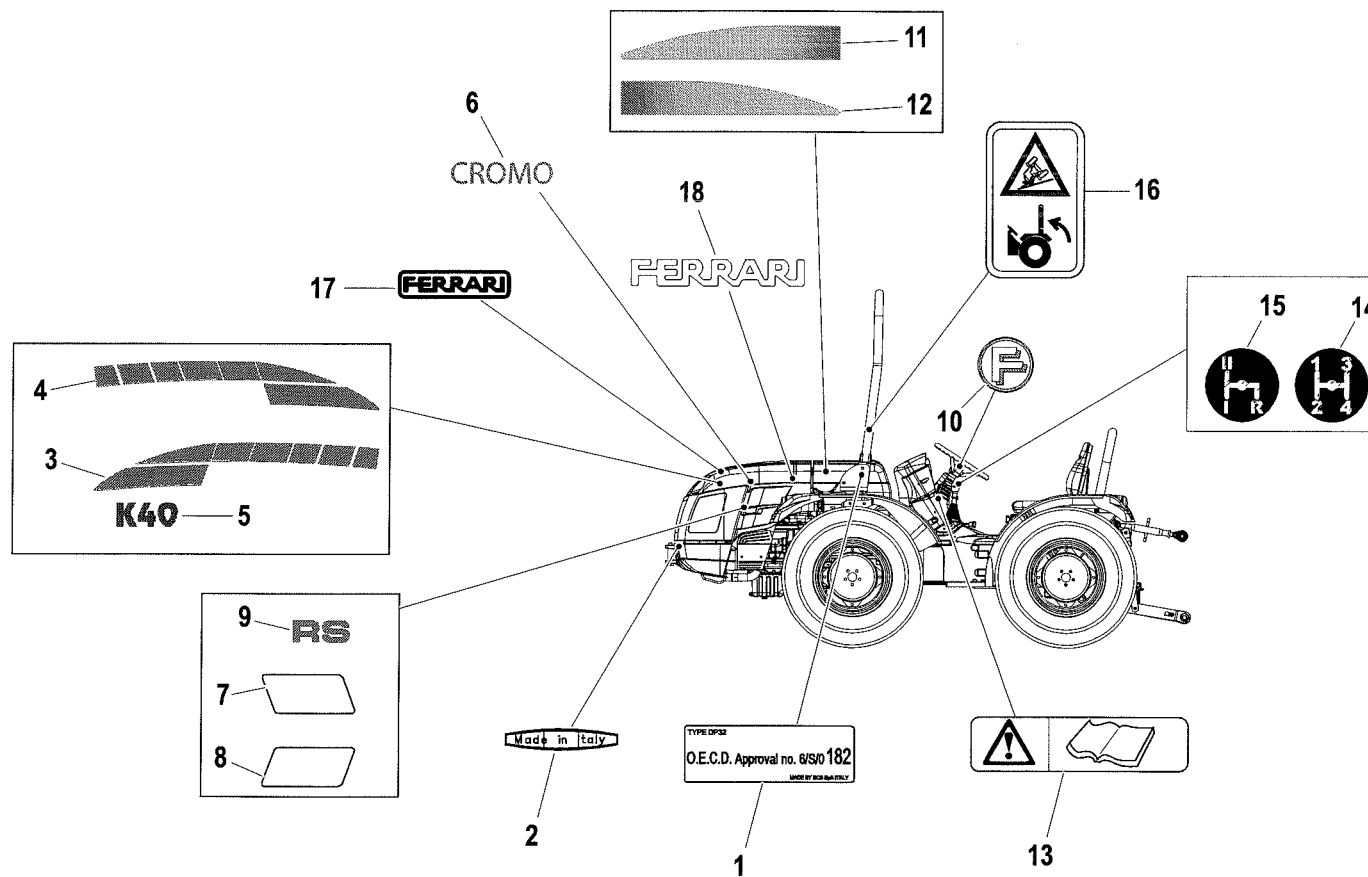


Pos.	Code	Q.ty	Description	Notes
28	590A1384	1	PLATE SUPPORT	
12	590A1394	2	SILENT BLOCK SPACER	
32	F0814547000	4	SELFLOCK NUT M6	
40	F0825414000	2	CABLE GLAND 7-15-18,5-2,5	
39	F0843570000	2	WASHER 6	
11	F0843643060	22	WASHER 8	
5	F0843843060	4	WASHER 12	
24	F0862479020	4	SCREW M8X16 7380	
4	F0863925000	2	SCREW M12X40 UNI 5737	

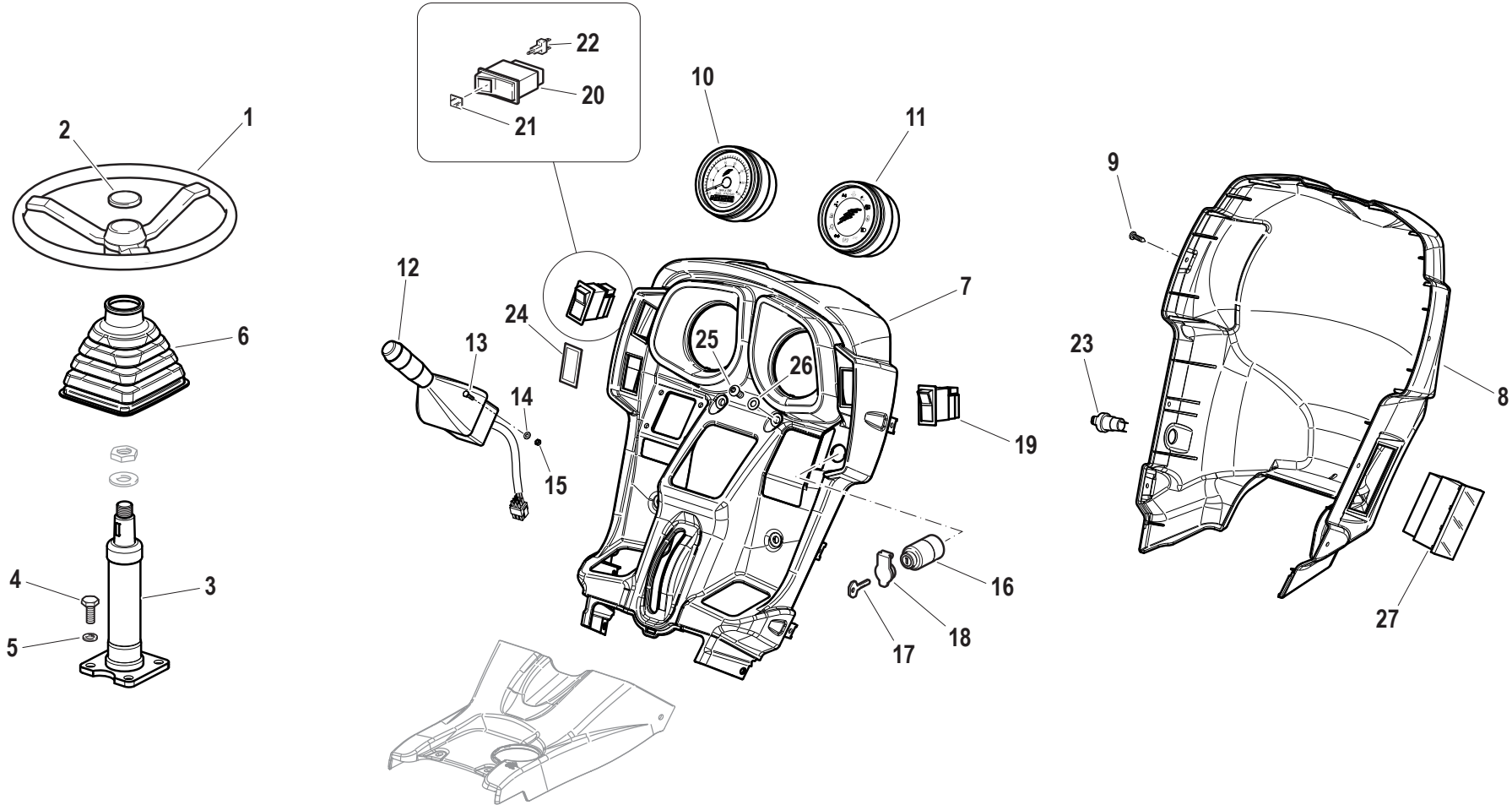




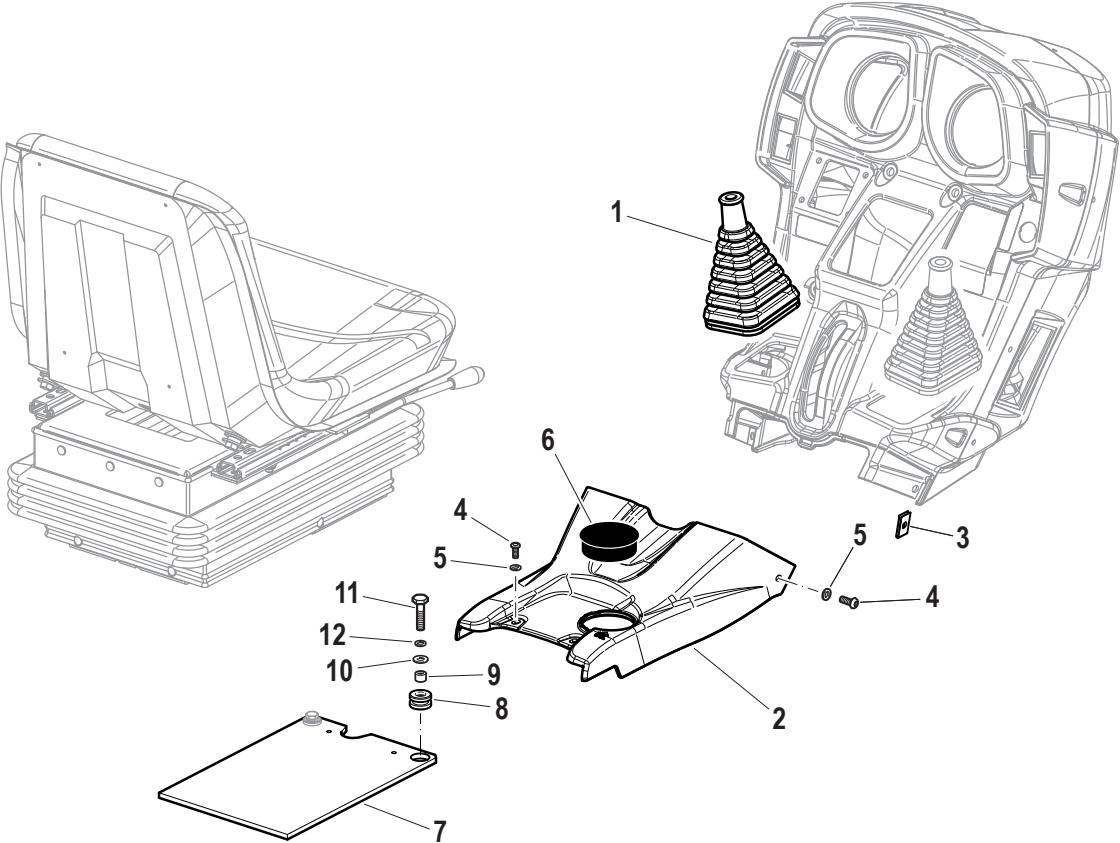
Pos.	Code	Q.ty	Description	Notes
6	58072510	1	INSTRUCTION PLATE	
7	58072520	1	INSTRUCTION PLATE	
5	58072575	1	PLATE	
4	58074841	1	DECAL	
3	58077047	1	DECAL	
8	58077051	1	PLATE	
11	580A1016	1	DECAL	
15	580A1023	1	PLATE	
12	580A1037	1	PLATE	
13	580A1038	1	PLATE	
14	580A1039	1	FAN WARNING PLATE	
1	580A1539	1	ENGINE START-STOP CONTR. PLATE	
2	580A1540	1	TRACTOR SPEED PLATE	
9	580A1571	1	LIFT TAP PLATE	
16	580A1606	1	DECAL	
17	580A1607	1	DECAL	
18	580A1609	4	DECAL	
10	58173775	1	PLATE	



Pos.	Code	Q.ty	Description	Notes
10	58074776	1	DECAL	
17	580A0490	1	DECAL	
2	580A1159	1	DECAL MADE IN ITALY	
6	580A1176	2	DECAL	
3	580A1497	1	DECAL	
4	580A1498	1	DECAL	
5	580A1499	2	DECAL	
9	580A1502	2	DECAL	
7	580A1507	1	DECAL	
8	580A1508	1	DECAL	
13	580A1538	1	GENERIC DANGER PLATE	
15	580A1578	1	DECAL	
14	580A1579	1	DECAL	
11	580A1588	1	DECAL	
12	580A1589	1	DECAL	
16	580A1605	1	DECAL	
1	580A1681	1	ROLL-BAR HOMOLOGATION PLATE	

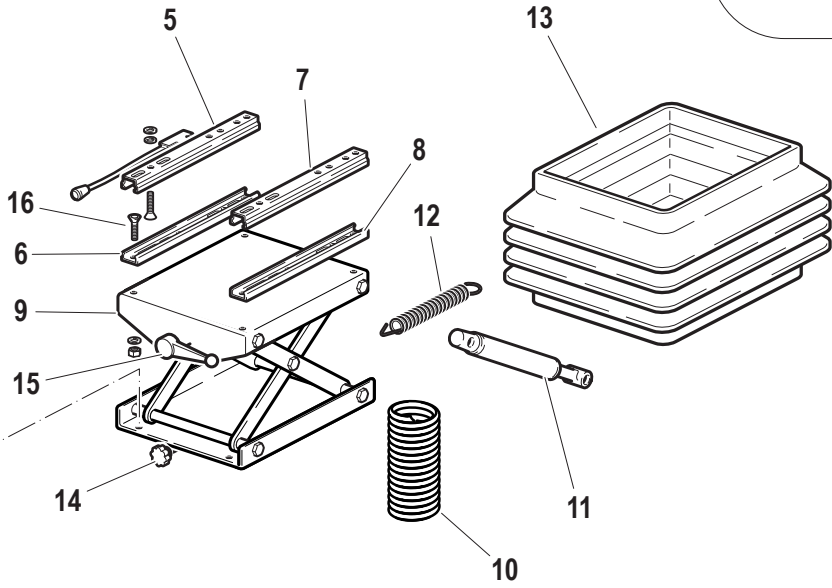
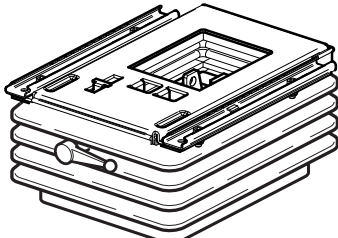
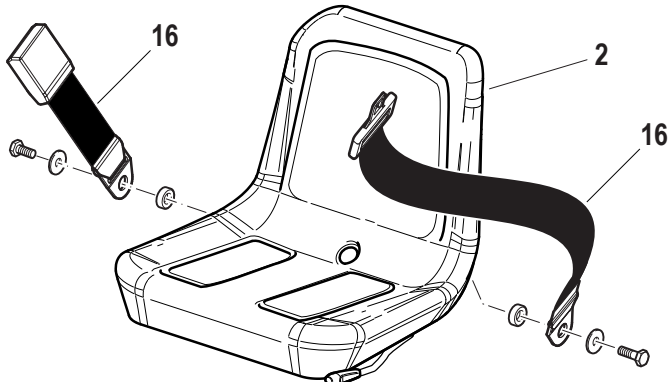


Pos.	Code	Q.ty	Description	Notes
17	30000276	1	KEY	
20	30000385	1	SWITCH	
21	30000386	1	HEADLIGHT SMALL GLASS	
22	30000387	1	LAMP	
16	30000643	1	START-UP CHANGE-OVER SWITCH	
12	30000648	1	STEERING COLUMN SWITCH UNIT	
13	31111084	4	SCREW TE M4X16 UNI 5739 8G	
15	31211040	4	NUT M4	
26	31411084	4	WASHER 8,4x17	
7	552A1057	1	DASHBOARD FRONT PANEL	
27	58170453	1	FUSE BOX	
24	58172043	1	FRONT GRILLE	
10	581A1076	1	DIGITAL TRACTOR METER	
11	581A1077	1	DIGITAL INSTRUMENT PANEL	
19	F0825115010	1	PUSH-BUTTON	
28	F0825139000	1	FLASHER	
18	F0825400060	1	COVER	
23	F0825403050	1	SOCKET	
14	F0843526000	4	WASHER 4,3x12/1,5	
25	F0862479020	4	SCREW M8X16 7380	
1	F0865040000	1	STEERING WHEEL	
2	F0865040020	1	PLUG	



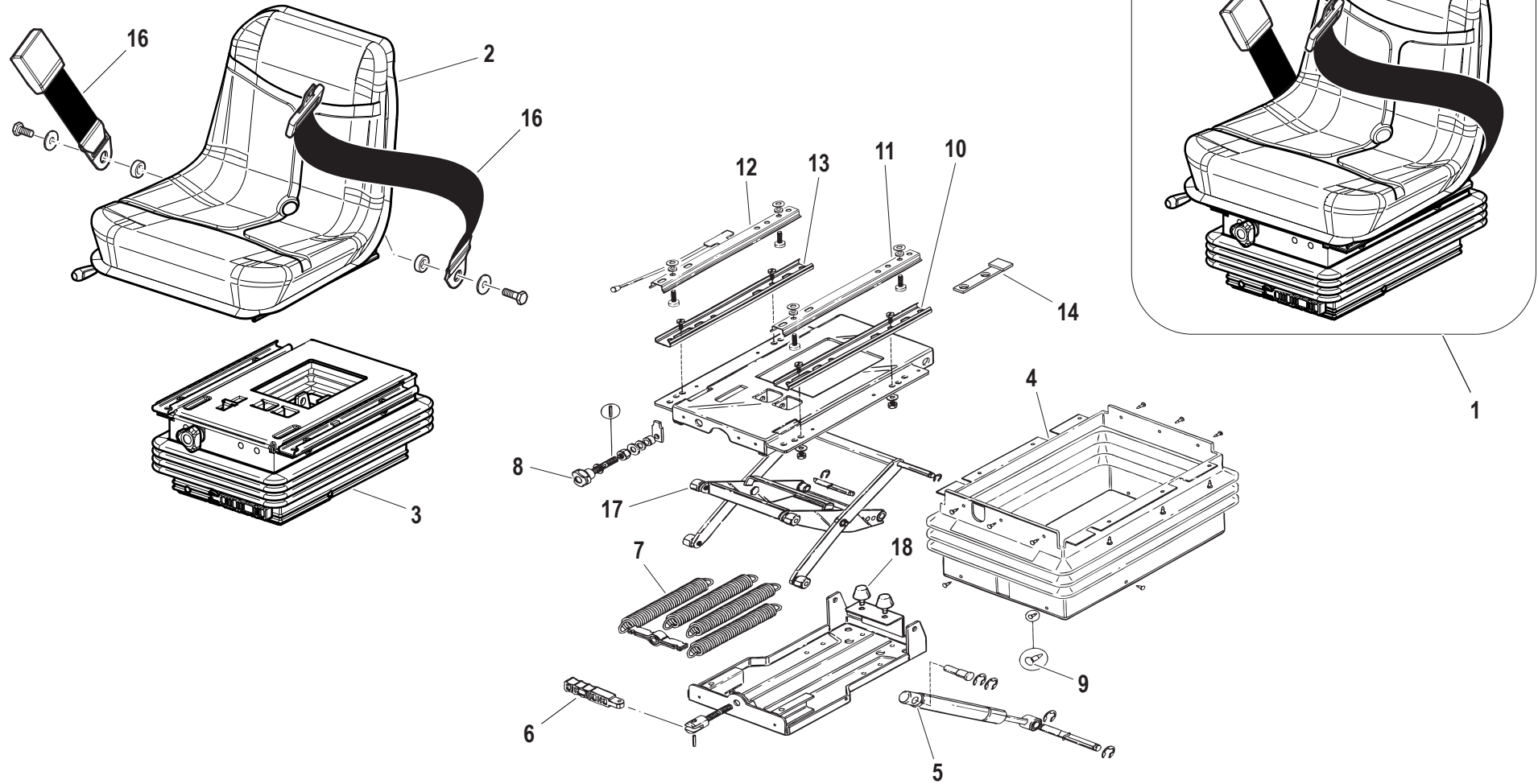
Pos.	Code	Q.ty	Description	Notes
5	31411064	4	WASHER 6,4x12,5	
10	31411090	2	WASHER 9x24	
8	55175174	2	BLOCK	
1	551A1246	2	GEAR LEVERS BELLOW	
2	552A1059	1	GEAR LEVERS COVER	
9	56171996	2	SPACER D.14x8,5/13	
7	561A1387	1	SEAT SUPPORT PLATE	
3	58177425	2	SPRING	
6	581A1302	1	PLUG D.57,2 DP-2.25	
12	F0843643060	4	WASHER 8	
4	F0862479034	4	SCREW M6X12 7380	
11	F0862694000	4	SCREW M8X170 UNI 5737	

SEDILE SEAT

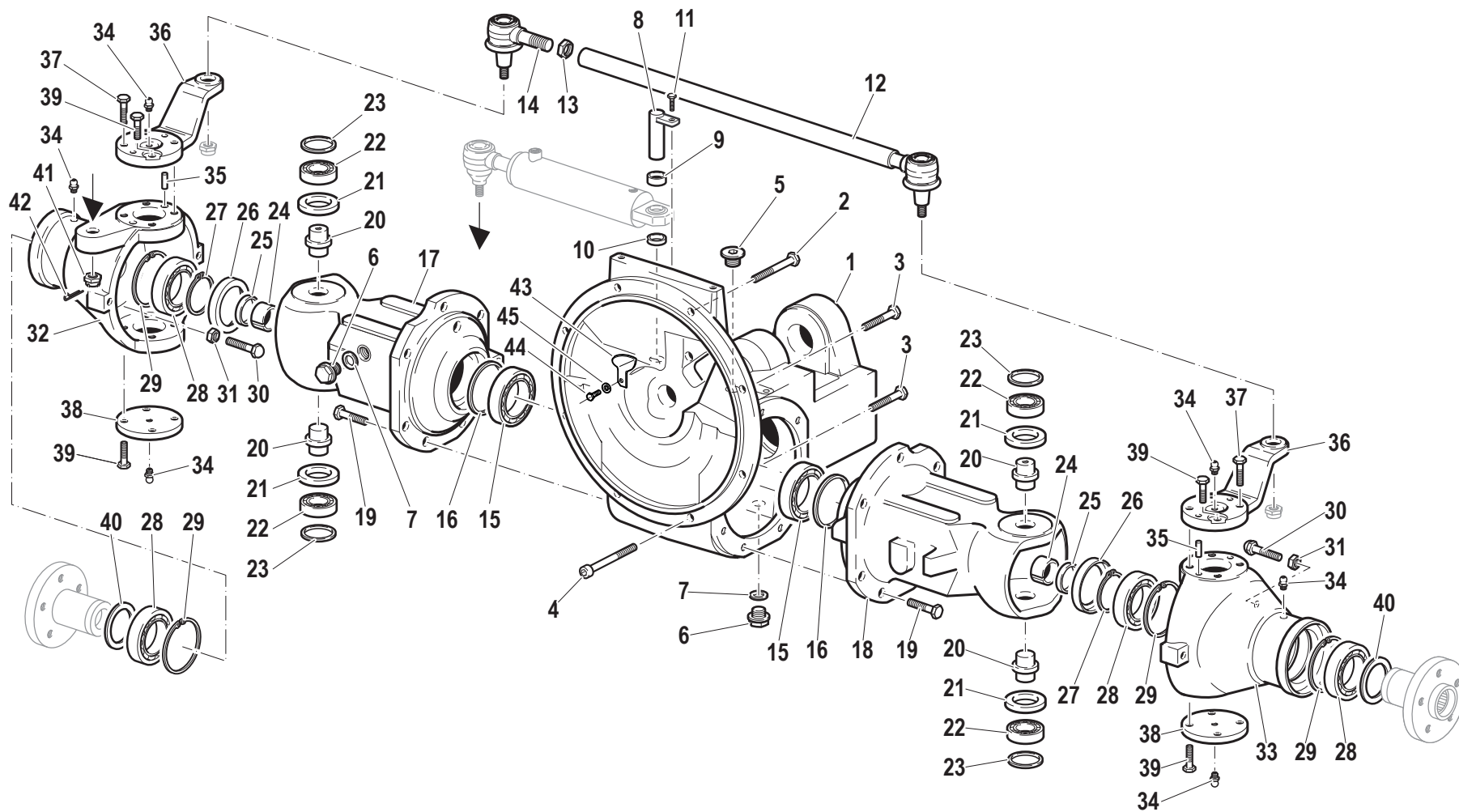




Pos.	Code	Q.ty	Description	Notes
4	31411084	1	WASHER 8,4x17	
1	58177728	1	SEAT	
9	59900163	1	SPRING	
15	59900165	1	LEVER	
14	59900166	1	HAND WHEEL	
12	59900167	1	SPRING	
10	59900168	1	SPRING	
11	59900169	1	SHOCKS ABSORBER	
13	59900170	1	BELLOWS	
2	59900171	1	SEAT CAVITY	
5	59900172	1	GUIDE	
6	59900173	1	GUIDE	
7	59900174	1	GUIDE	
8	59900175	1	GUIDE	
16	59901266	4	SAFETY BELT	
3	F0814569000	1	NUT M8 UNI 5589 CL:8	



Pos.	Code	Q.ty	Description	Notes
16	58192377	1	SAFETY BELT	
1	581A1548	1	SEAT	
14	59071241	1	STOP PLATE	
13	59900152	1	LOWER GUIDE	
8	59900153	1	KNOB	
7	59900154	4	SPRING	
6	59900155	1	LEVER	
5	59900156	1	SHOCKS ABSORBER	
10	59900157	1	LOWER GUIDE	
9	59900158	18	SCREW	
4	59900159	1	BELLOWS	
11	59900160	1	GUIDE	
12	59900161	1	GUIDE	
3	59901049	1	SUSPENSION	
2	59901058	1	SEAT	
15	59901099	1	BRACKET	
17	59901100	1	BUSHING	
18	59901101	2	STOP BUFFER	



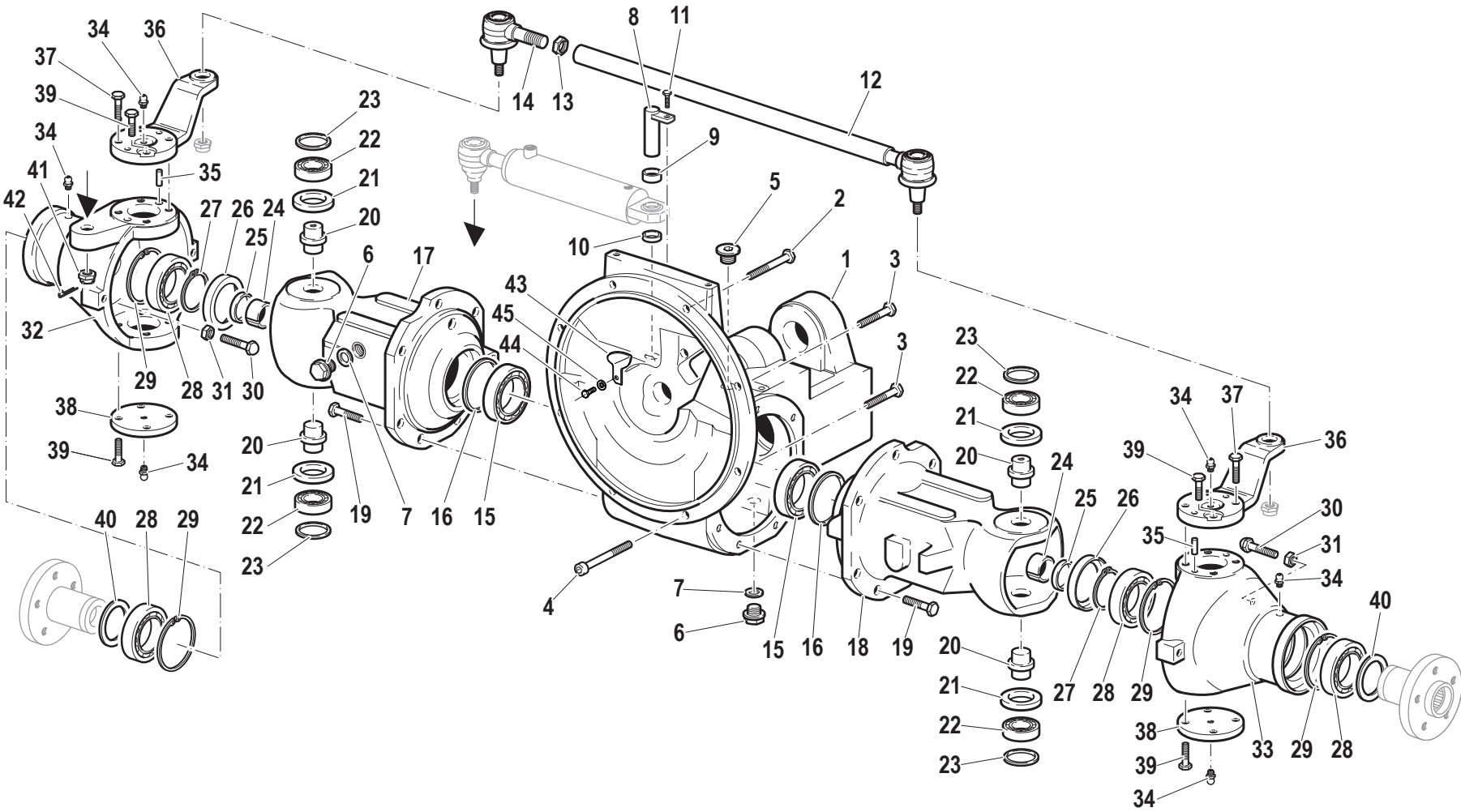
Pos.	Code	Q.ty	Description	Notes
34	30000007	6	LUBRICATOR .M8x1,25 UNI 7663A	
44	31111090	1	SCREW TE M5X10 UNI 5739 8G	
11	31111151	1	SCREW TE M8X16 UNI 5739 8G	
3	31112211	4	SCREW TE M10X30 UNI 5739	
2	31112214	2	SCREW TE M10X45 UNI 5739	
19	31112264	14	SCREW TE M12X35 UNI 5739	
4	31152100	2	SCREW TCEI M10X40 UNI 5931 8G	
13	31231161	1	NUT M16X1,5	
29	35111080	4	SEEGER RING I 80 DIN 472	
1	51172967	1	FRONT AXLE HOUSING	
17	51272664	1	FRONT AXLE HOUSING	
18	51272665	1	FRONT AXLE HOUSING	
33	51272668	1	BALL JOINT SWIVEL	
32	51272669	1	BALL JOINT SWIVEL	
36	52372748	2	LINK LEVER	
9	56170226	1	SPACER D.24x20/10,4	
38	56171569	2	COVER	
10	56171572	1	SPACER D.24x20/8	
40	56172738	2	SHEET	
26	56173050	2	PROTECTIVE RING D=80	
43	56179398	1	COVER	
6	56370081	2	PLUG	
35	56370228	4	CYLINDRICAL PLUG	
20	56371571	4	JOINT PIN	
16	56371582	1	RING	
16	56371583	1	RING	
16	56371584	1	RING	
16	56371585	1	RING	
16	56371586	1	RING	
23	56371587	1	SHIM	
23	56371588	1	SHIM	
23	56371589	1	SHIM	
23	56371590	1	SHIM	
30	56375609	2	ADJUSTING SCREW CH.17x60-M10x1,5	

SERIAL

**PONTE ANTERIORE**

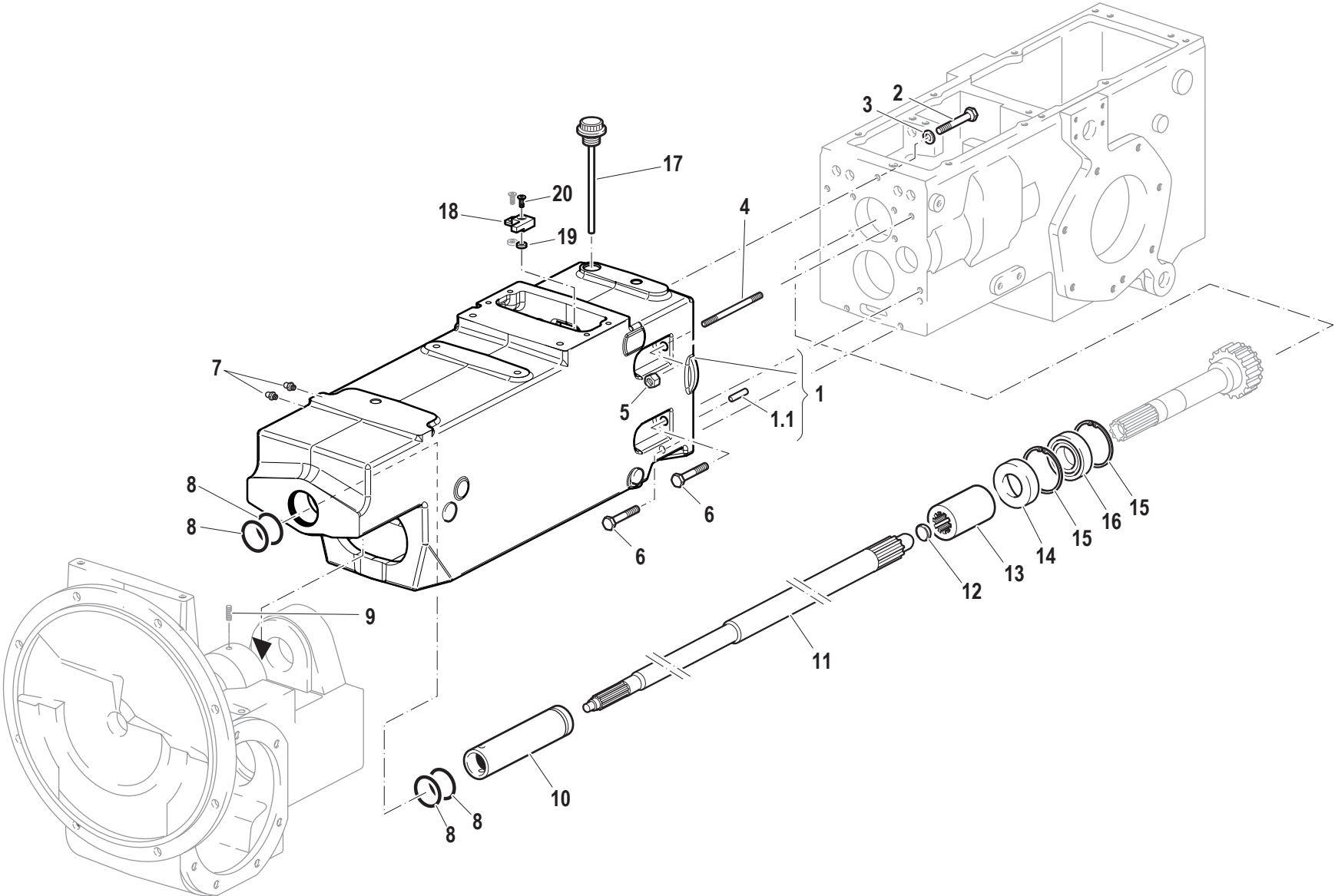
CODE REV

**C.01.01.L20002\_0**



Pos.	Code	Q.ty	Description	Notes
21	57371570	4	RING	
5	58071790	1	PLUG	
24	58170039	2	BUSHING	
8	59071171	1	HINGE PIN	
12	59072746	1	ROD	
41	59900240	1	NUT	
14	F0150023160	1	BALL JOINT END	
27	F0801353050	2	SEEGER RING E 50 UNI 7436	
25	F0802119050	2	SEAL 30x44x11	
42	F0810622010	1	SPLIT PIN A4X40 UNI 1336	
22	F0812705000	4	BEARING 32005	
15	F0812895000	2	BEARING 32008 (40X68X19)	
28	F0812952100	4	BEARING 6010-2Z	
31	F0814632000	2	NUT M10	
45	F0843570000	1	WASHER 6	
7	F0844273090	2	GASKET 22X28X1,5 CU 99,5	
39	F0863267050	10	SCREW M10x25	
37	F0863311250	6	SCREW M10x1,5x32	

CORPO CENTRALE

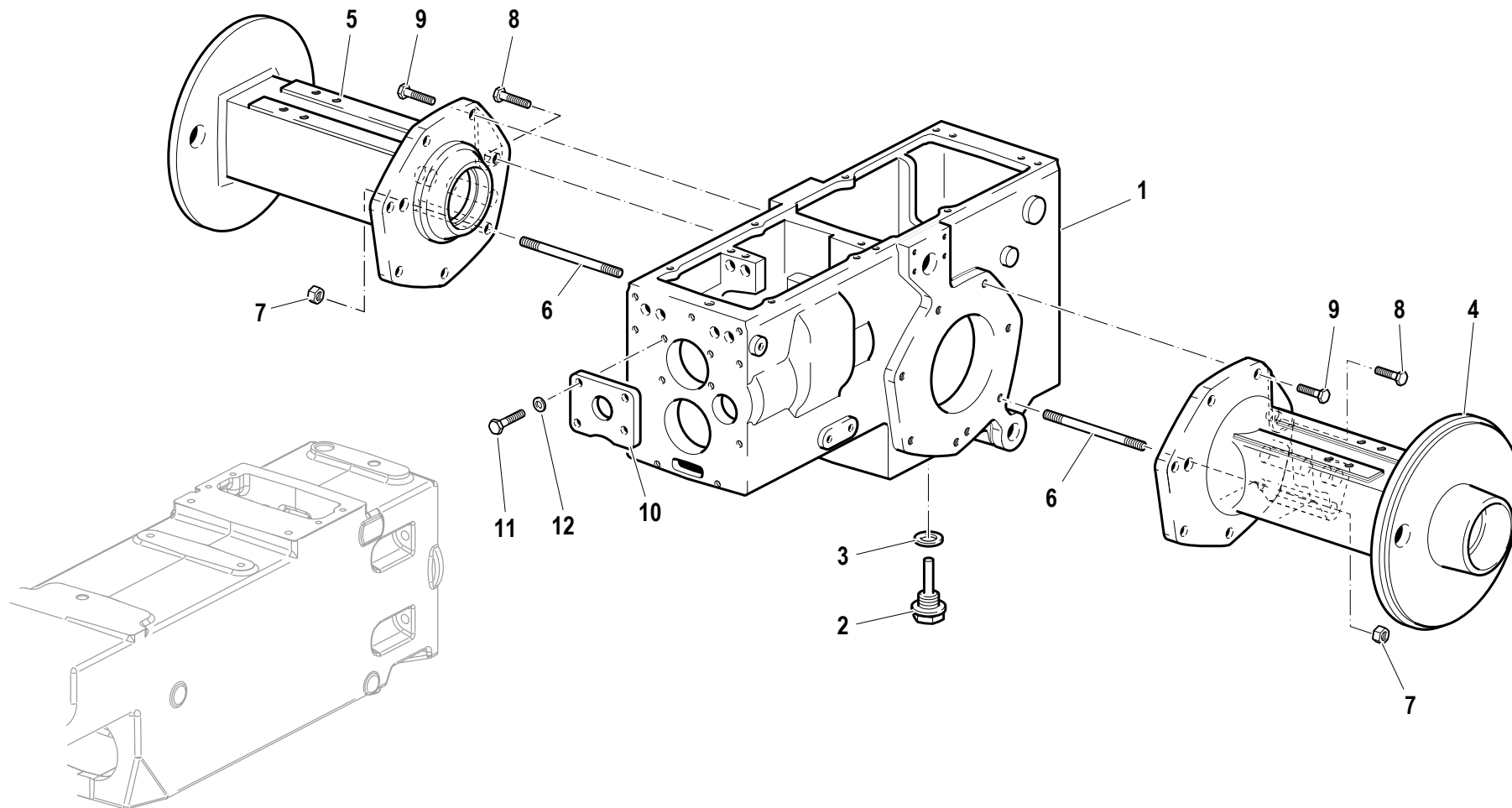




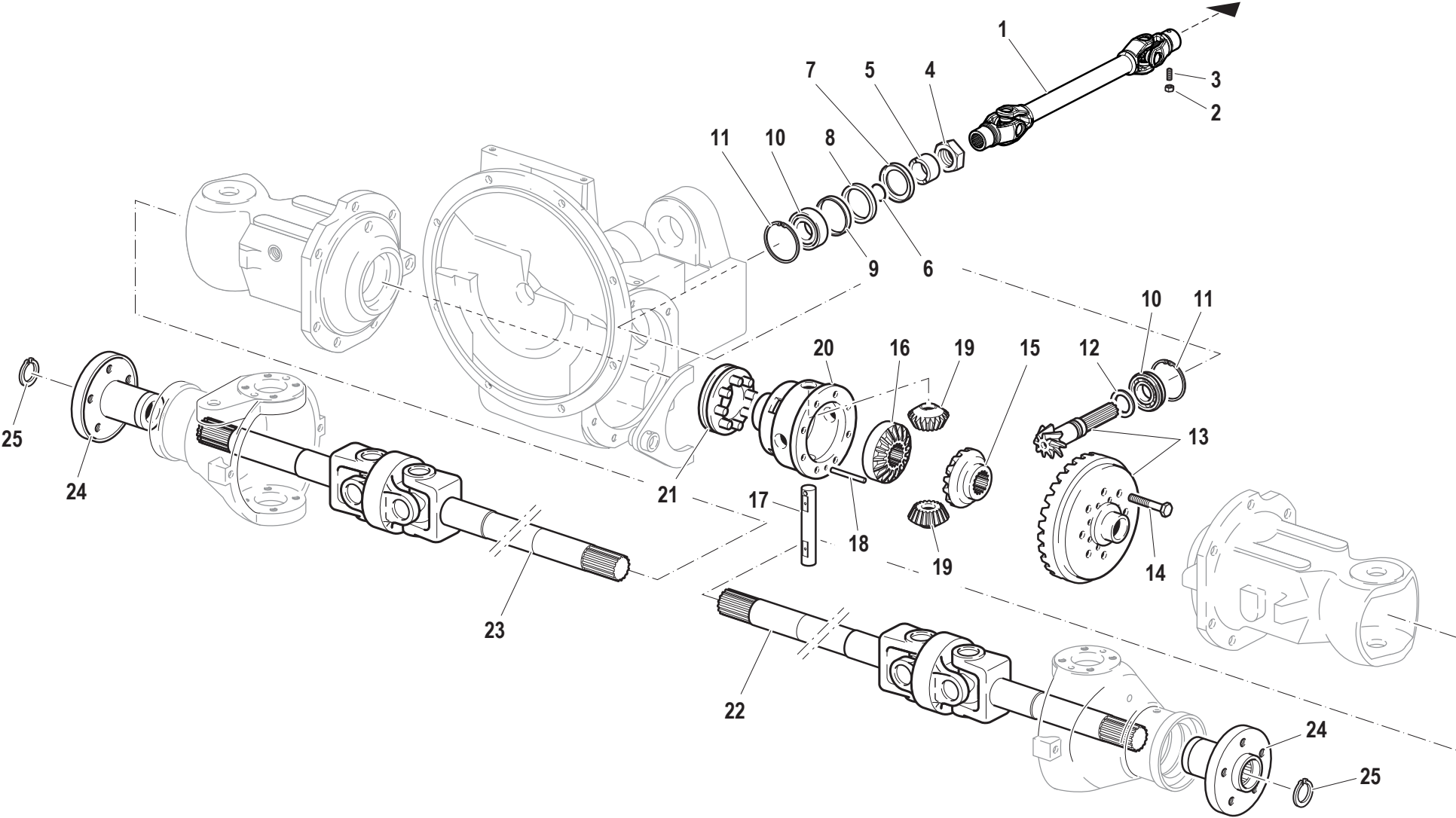
Pos.	Code	Q.ty	Description	Notes
6	31112211	2	SCREW TE M10X30 UNI 5739	
20	31132562	2	SCREW TSVEI M6X16 UNI 5933	
15	35111052	2	SEEGER RING I 52 DIN 472	
16	37111255	1	BEARING 6205 (25X52X15) SKF	
8	38104412	4	O-RING 3175 (44,12X2,62)	
11	524A0943	1	FRONT CLUTCH SHAFT	
18	561A1222	1	REVERSE BLOCKING PLATE	
19	561A1415	2	SPACER D.14x7/4	
1.1	56370228	2	CYLINDRICAL PLUG	
10	56471645	1	PIN	
13	56472970	1	SLEEVE	
17	58071805	1	PLUG	
9	58170013	1	SCREW	
1	59279545	1	COMPLETE CLUTCH GEARBOX	
12	F0800047030	1	RETAINING RING 26X1,5	
14	F0802100050	1	SEAL 25x52/7	
5	F0814647000	4	NUT M10	
7	F0826056000	2	LUBRICATOR M10 UNI 7663A	
4	F0838530150	4	STUD BOLT M10X115 UNI 5911 8.8	
3	F0843755000	1	WASHER 10 DIN 128-B	
2	F0863359000	1	SCREW M10X40 UNI 5737	

Pos.	Code	Q.ty	Description	Notes
6	31112211	2	SCREW TE M10X30 UNI 5739	
20	31132562	2	SCREW TSVEI M6X16 UNI 5933	
15	35111052	2	SEEGER RING I 52 DIN 472	
16	37111255	1	BEARING 6205 (25X52X15) SKF	
11	524A0943	1	FRONT CLUTCH SHAFT	
18	561A1222	1	REVERSE BLOCKING PLATE	
19	561A1415	2	SPACER D.14x7/4	
1.1	56370228	2	CYLINDRICAL PLUG	
10	56471645	1	PIN	
13	56472970	1	SLEEVE	
17	58071805	1	PLUG	
9	58170013	1	SCREW	
1	59279545	1	COMPLETE CLUTCH GEARBOX	
12	F0800047030	1	RETAINING RING 26X1,5	
14	F0802100050	1	SEAL 25x52/7	
5	F0814647000	4	NUT M10	
7	F0826056000	2	LUBRICATOR M10 UNI 7663A	
4	F0838530150	4	STUD BOLT M10X115 UNI 5911 8.8	
3	F0843755000	1	WASHER 10 DIN 128-B	
2	F0863359000	1	SCREW M10X40 UNI 5737	

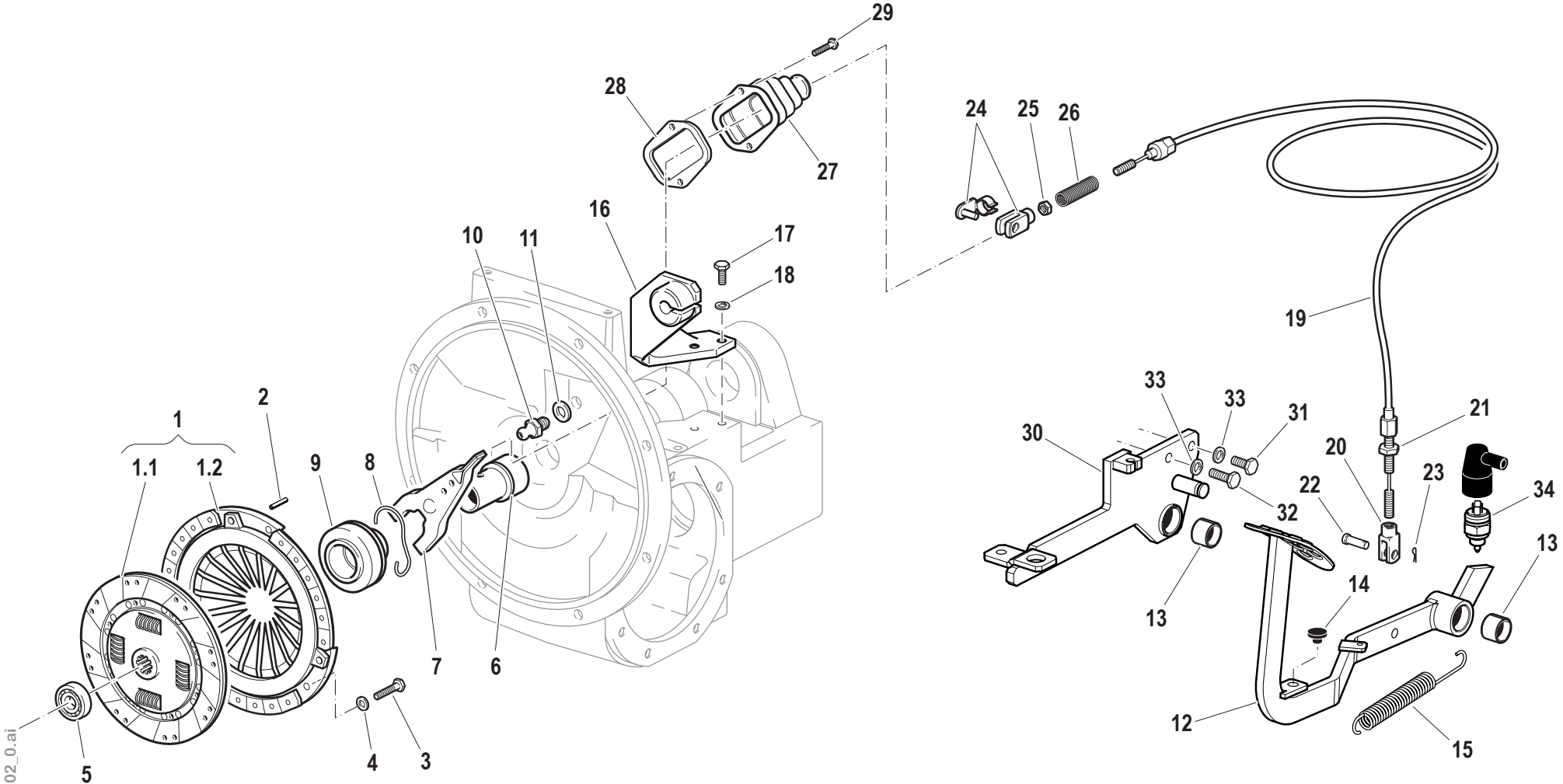
Pos.	Code	Q.ty	Description	Notes
6	31112211	2	SCREW TE M10X30 UNI 5739	
20	31132562	2	SCREW TSVEI M6X16 UNI 5933	
15	35111052	2	SEEGER RING I 52 DIN 472	
16	37111255	1	BEARING 6205 (25X52X15) SKF	
11	524A0943	1	FRONT CLUTCH SHAFT	
18	561A1222	1	REVERSE BLOCKING PLATE	
19	561A1415	2	SPACER D.14x7/4	
22	561A2718	11	DIST.D.51,5x45,5/5 grz	051/14
1.3	56276359	1	BUSHING	051/14
1.2	56276360	1	BUSHING	051/14
1.1	56370228	2	CYLINDRICAL PLUG	
10	56471645	1	PIN	056/12
13	56472970	1	SLEEVE	
17	58071805	1	PLUG	
9	58170013	1	SCREW	
1	59279545	1	COMPLETE CLUTCH GEARBOX	051/14
12	F0800047030	1	RETAINING RING 26X1,5	
21	F0801331050	1	SEEGER RING E 45 UNI 7436	051/14
14	F0802100050	1	SEAL 25x52/7	
5	F0814647000	4	NUT M10	
7	F0826056000	2	LUBRICATOR M10 UNI 7663A	
4	F0838530150	4	STUD BOLT M10X115 UNI 5911 8.8	
3	F0843755000	1	WASHER 10 DIN 128-B	
2	F0863359000	1	SCREW M10X40 UNI 5737	



Pos.	Code	Q.ty	Description	Notes
11	31112219	4	SCREW TE M10X25 UNI 5739	
9	31112264	10	SCREW TE M12X35 UNI 5739	
8	31112272	2	SCREW TE M12X30 UNI 5739	
5	51173547	1	REAR AXLE HOUSING	
4	51174104	1	REAR AXLE HOUSING	
1	511A1034	1	GEAR BOX	
10	56172685	1	FRONT COVER	
2	58170021	1	PLUG	
7	F0814695000	2	NUT M12	
6	F0838660000	2	STUD BOLT M12X105 UNI 5911-66	
12	F0843755000	4	WASHER 10 DIN 128-B	
3	F0844273090	1	GASKET 22X28X1,5 CU 99,5	



Pos.	Code	Q.ty	Description	Notes
2	31211080	1	NUT M8	
11	35111063	2	SEEGER RING I 62 UNI 7438	
25	35121030	2	SEEGER RING E 30 DIN 471	
10	37221300	2	BEARING 30206 R/CO.30X62X17,25	
6	38112670	1	O-RING 2106 (26,70X1,78)	
20	51374866	1	HOUSING	
19	52471509	2	PLANETARY GEAR	
15	52471513	1	CROWN WHEEL	
16	52471516	1	CROWN WHEEL	
24	52572670	2	HUB	
7	56171671	1	PROTECTIVE RING D=62	
9	56171672	1	SPACER D.62x58/7,5	
4	56371666	1	RING NUT	
12	56371667	1	SHIM	
12	56371668	1	SHIM	
12	56371669	1	SHIM	
12	56371670	1	SHIM	
18	56371994	1	PIN	
17	56471508	1	PIN	
5	56471665	1	SPACER	
22	58173323	1	JOINT	
23	58173324	1	JOINT	
1	581A0941	1	CONSTANT VEL. JOINT	
21	59071518	1	SLEEVE	
13	592A0918	1	BEVEL GEAR	
8	F0802190010	1	SEAL 42x62/7	
3	F0862657000	1	GRAIN M8X25 UNI 5927	
14	F0863267050	8	SCREW M10x25	



D.02.01.L20002\_0.ai



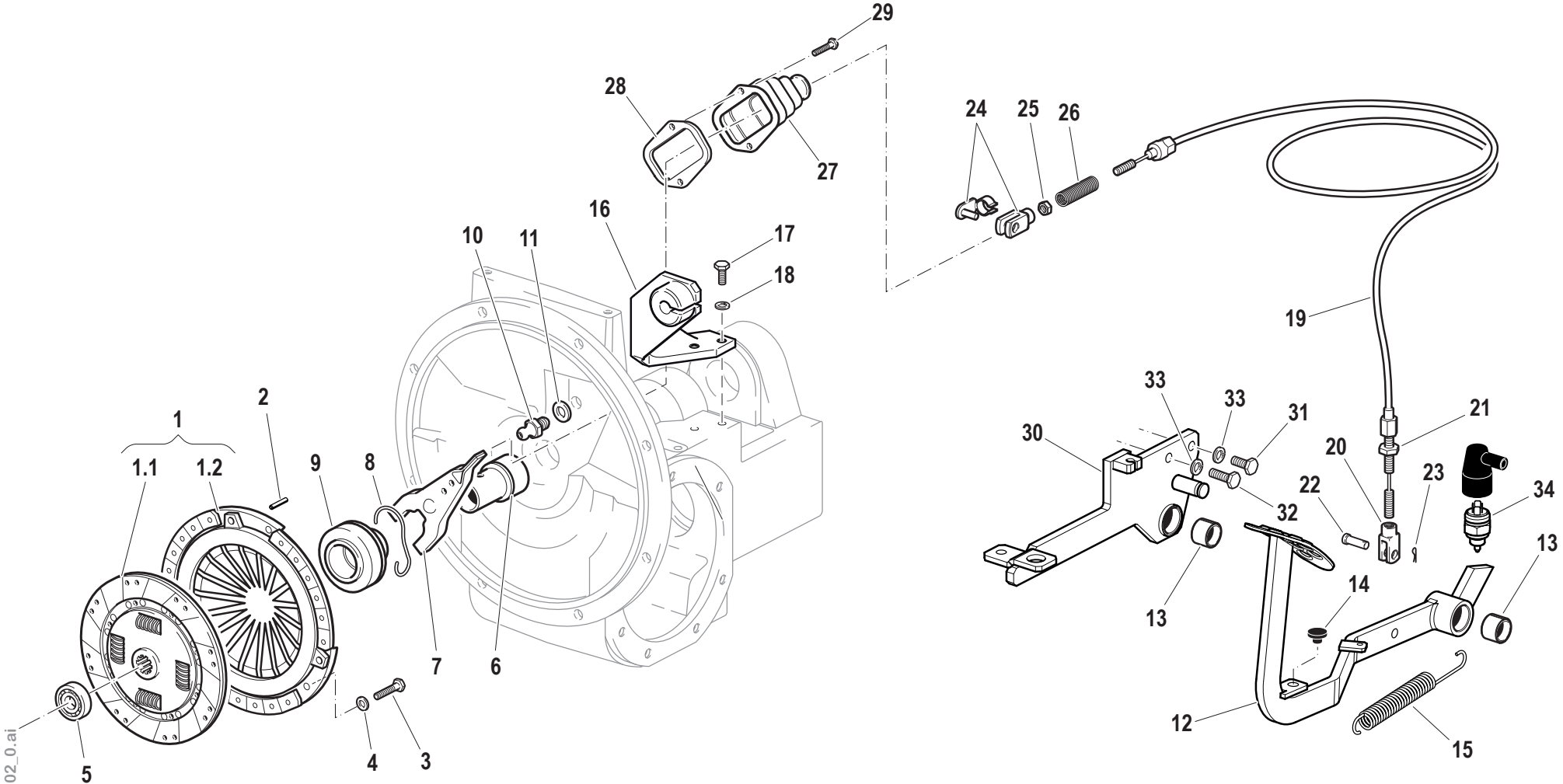
Pos.	Code	Q.ty	Description	Notes
34	30000638	1	SWITCH	
29	31112090	2	SCREW TE M6X16 UNI 5739 8G	
3	31112147	6	SCREW TE M8X18 UNI 5739 8G	
17	31112151	2	SCREW TE M8X25 UNI 5739 8G	
32	31112212	1	SCREW TE M10X35 UNI 5739	
31	31112229	1	SCREW M10x22 UNI 5739	
25	31231080	1	NUT M8	
21	31231090	1	NUT M10	
23	34110021	1	SPLIT PIN A2,0X16 UNI 1336	
2	34211060	3	ROLL PIN	
20	50974039	1	FORK	
27	55174021	1	BOOT	
28	56074020	1	CLAMPING PLATE	
6	56172643	1	SLEEVE	
22	56476188	1	HINGE PIN	
7	58072688	1	FORK	
15	580A0360	1	RESTORING SPRING	
13	58171596	2	BUSHING	
1	581A1061	1	CLUTCH D.210	
19	581A1472	1	CABLE	
16	59079661	1	FIXING BRACKET	
30	590A1270	1	BRAKE/CLUTCH PEDAL LH SUPPORT	
12	590A1400	1	CLUTCH PEDAL	
1.2	59901468	1	CLUTCH PRESSURE PLATE	
1.1	59901469	1	CLUTCH DISC	
5	F0812523050	1	BEARING 6201-2RS	
9	F0819134030	1	SLEEVE	
10	F0819134040	1	PIN	
8	F0819134050	1	RETAINING SPRING	
14	F0822537050	1	BUFFER	
26	F0831193010	1	SPRING DM.15X70	
18	F0843643060	2	WASHER 8	
4	F0843643060	6	WASHER 8	
11	F0843755000	1	WASHER 10 DIN 128-B	

SERIAL

**FRIZIONE**

CODE REV

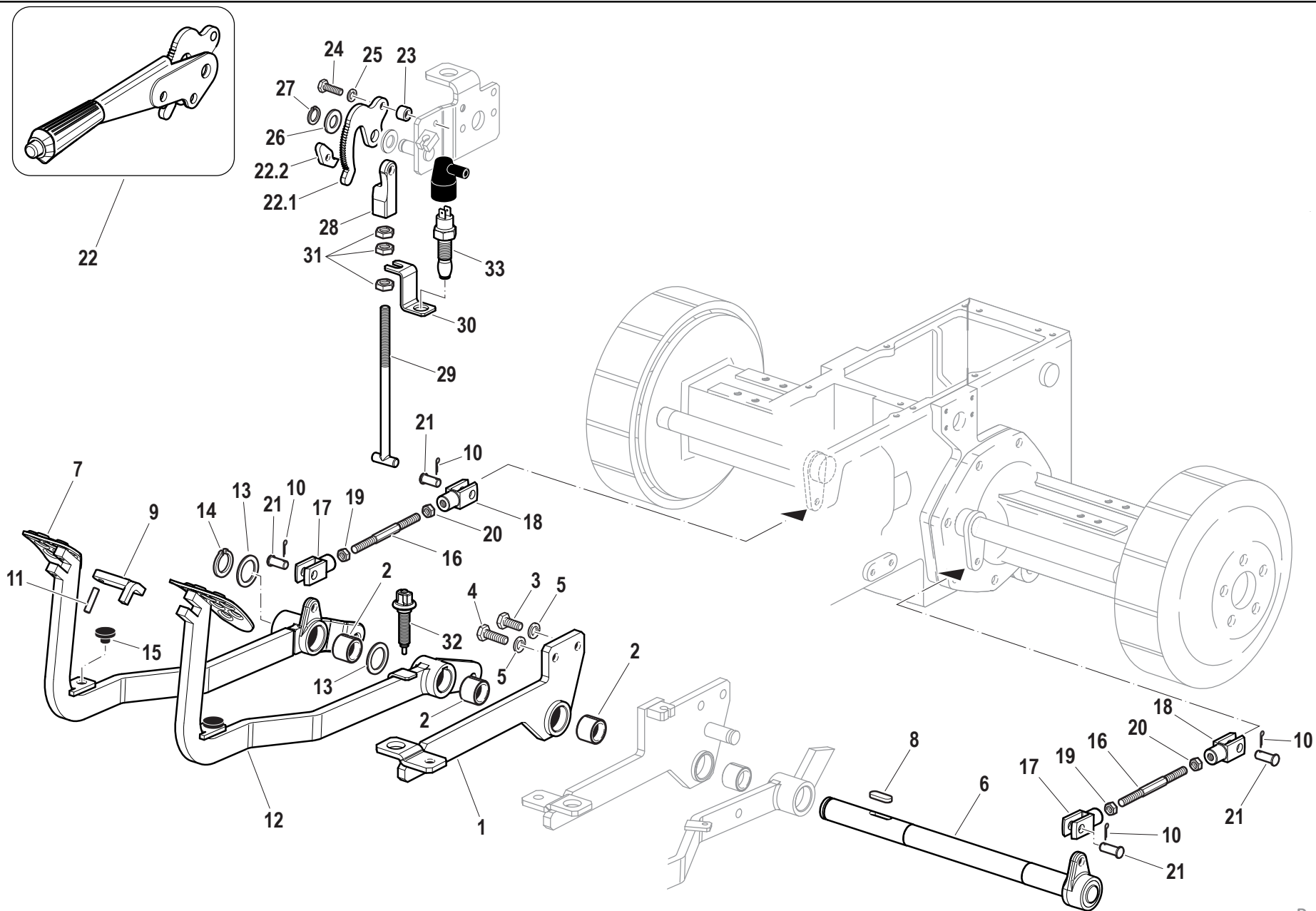
**D.02.01.L20002\_0**



D.02.01.L20002\_0.ai

Pos.	Code	Q.ty	Description	Notes
33	F0843755000	2	WASHER 10 DIN 128-B	
24	F0860058000	1	COMPLETE FORK 8X16 KALWAS	

Pos.	Code	Q.ty	Description	Notes
8	35121028	2	SEEGER RING E 28 DIN 471	
1	51172716	2	BRAKE DRUM	
6	523A1274	2	BRAKE BLOCK OPENING LEVER	
4	56172719	2	PIN	
5	56572720	2	SHAFT	
9	580A1596	1	BRAKE PEDAL RH SPRING	
10	580A1597	1	BRAKE PEDAL LH SPRING	
2	58172717	4	BRAKE BLOCK	
3	58172718	4	SPRING	
7	F0801190000	2	SEEGER RING E 26 UNI 7435	



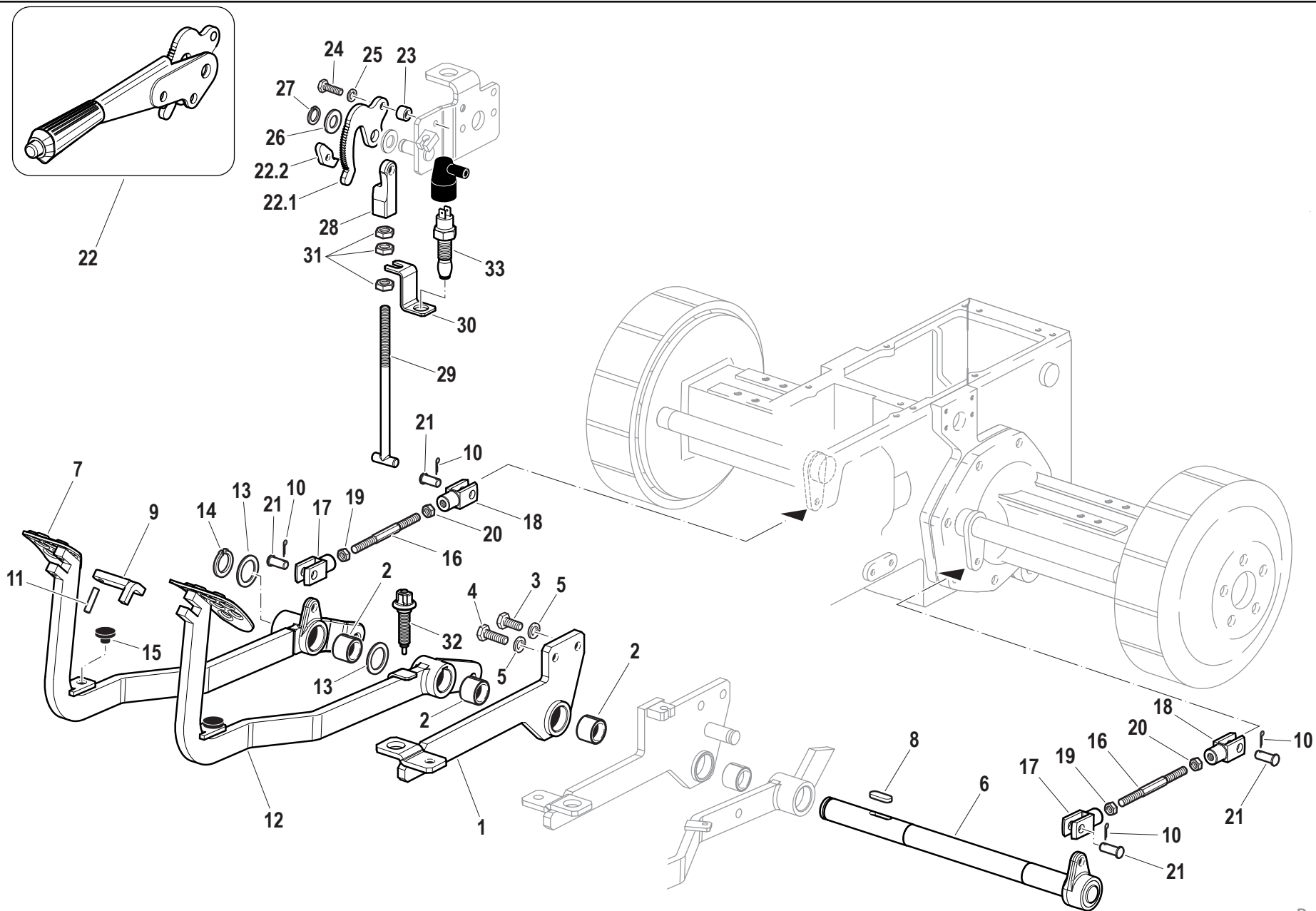
Pos.	Code	Q.ty	Description	Notes
24	31112151	1	SCREW TE M8X25 UNI 5739 8G	
4	31112212	1	SCREW TE M10X35 UNI 5739	
3	31112229	1	SCREW M10x22 UNI 5739	
19	31231090	2	NUT M10	
11	31411105	1	WASHER 10,5x21	
26	31411150	2	WASHER 15x28	
10	34110021	4	SPLIT PIN A2,0X16 UNI 1336	
14	35131026	1	SEEGER RING	
28	50972173	1	FORK	
30	560A1904Z	1	HAND BRAKE PLATE	
23	56171936	1	SPACER D.15x9/10	
12	56175883	1	SPACER D.40X25,2/25	
16	563A1521	2	BRAKE ROD	
9	56470365	1	PIN	
21	56476188	4	HINGE PIN	
2	58171596	2	BUSHING	
33	58173230	1	PUSH-BUTTON	
22	58178960	1	HANDBRAKE LEVER	
22.2	58179859	1	CLEVIS	
22.1	58179860	1	TOOTHED SECTOR	
1	590A1271	1	BRAKE/CLUTCH PEDAL RH SUPPORT	
7	590A1390	1	BRAKE PEDAL	
6	590A1460	1	SHAFT	
29	590A1525	1	HANDBRAKE TIE-ROD	
27	F0801095000	1	SEEGER RING E 14 7435 INOX	
8	F0806533000	1	KEY 8X7X30 UNI 6604/A	
13	F0810510000	1	SPLIT PIN A2,0X20 UNI 1336	
31	F0814627000	3	NUT M10	
20	F0814628050	2	NUT M10	
15	F0822537050	1	BUFFER	
32	F0825488000	1	SWITCH	
25	F0843643060	1	WASHER 8	
5	F0843755000	2	WASHER 10 DIN 128-B	
17	F0860090010	2	FORK	

SERIAL

COMANDI FRENI

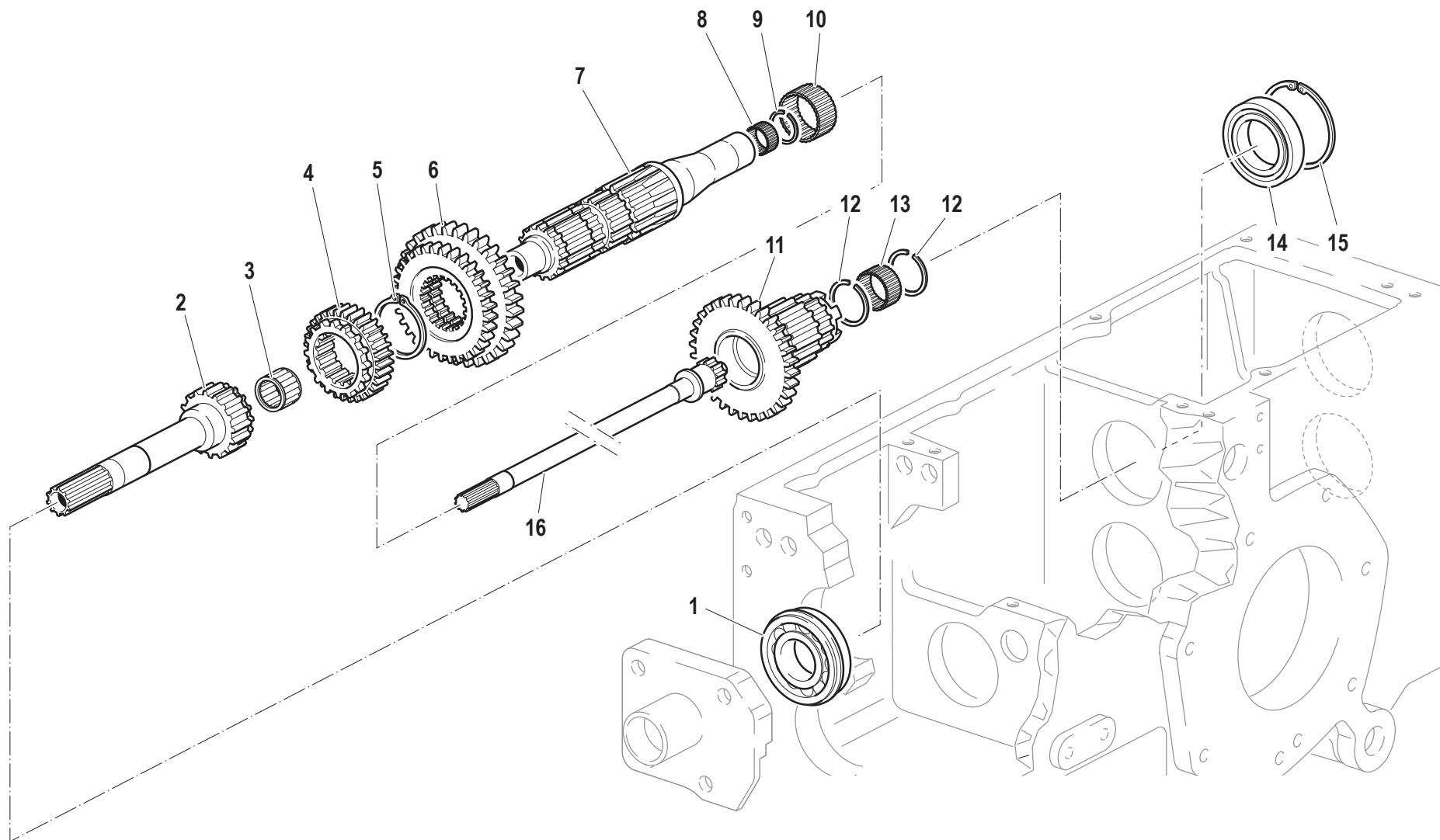
CODE REV

D.04.01.L20001\_0



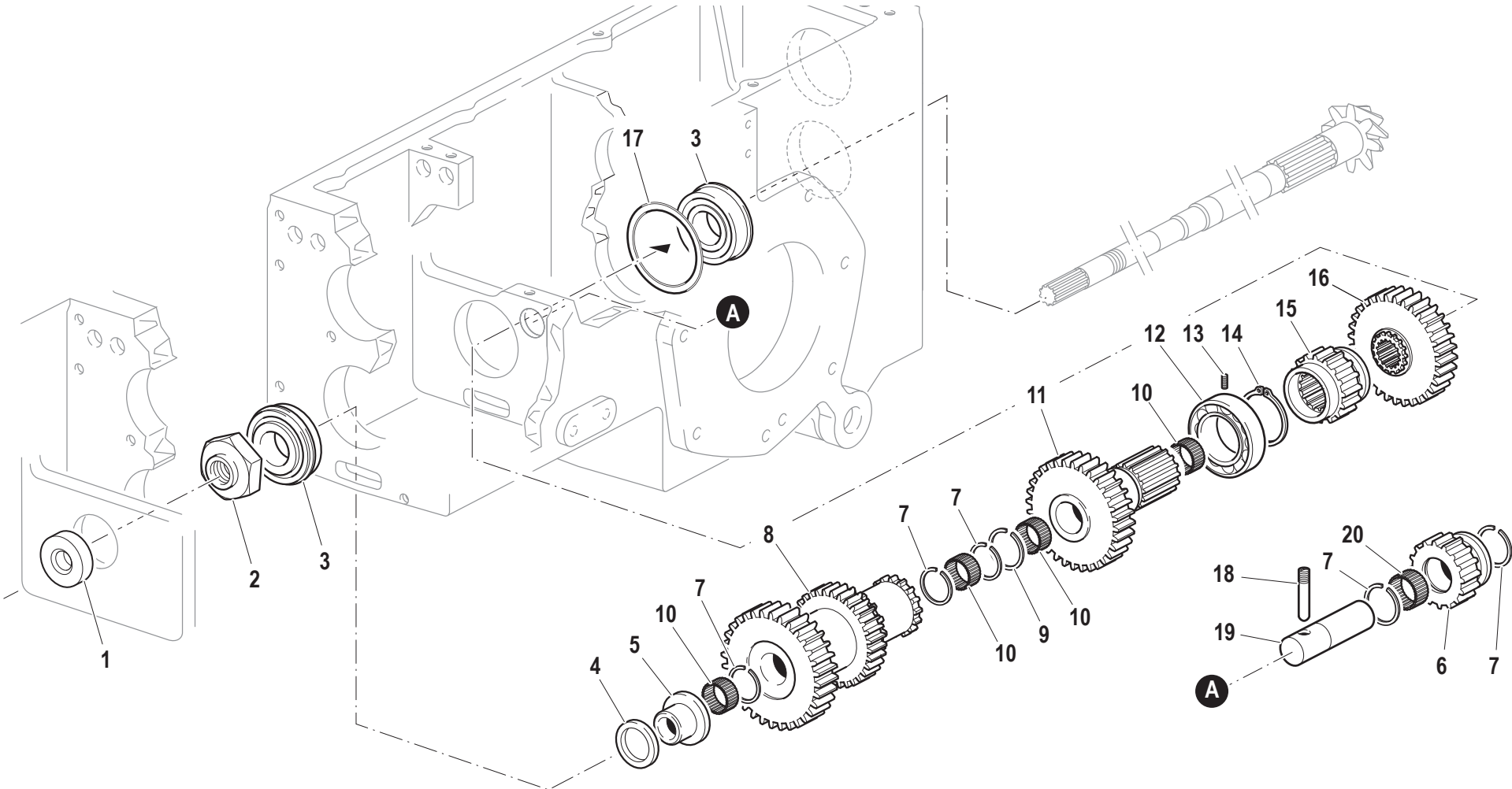
Pos.	Code	Q.ty	Description	Notes
18	F0860090110	2	FORK	





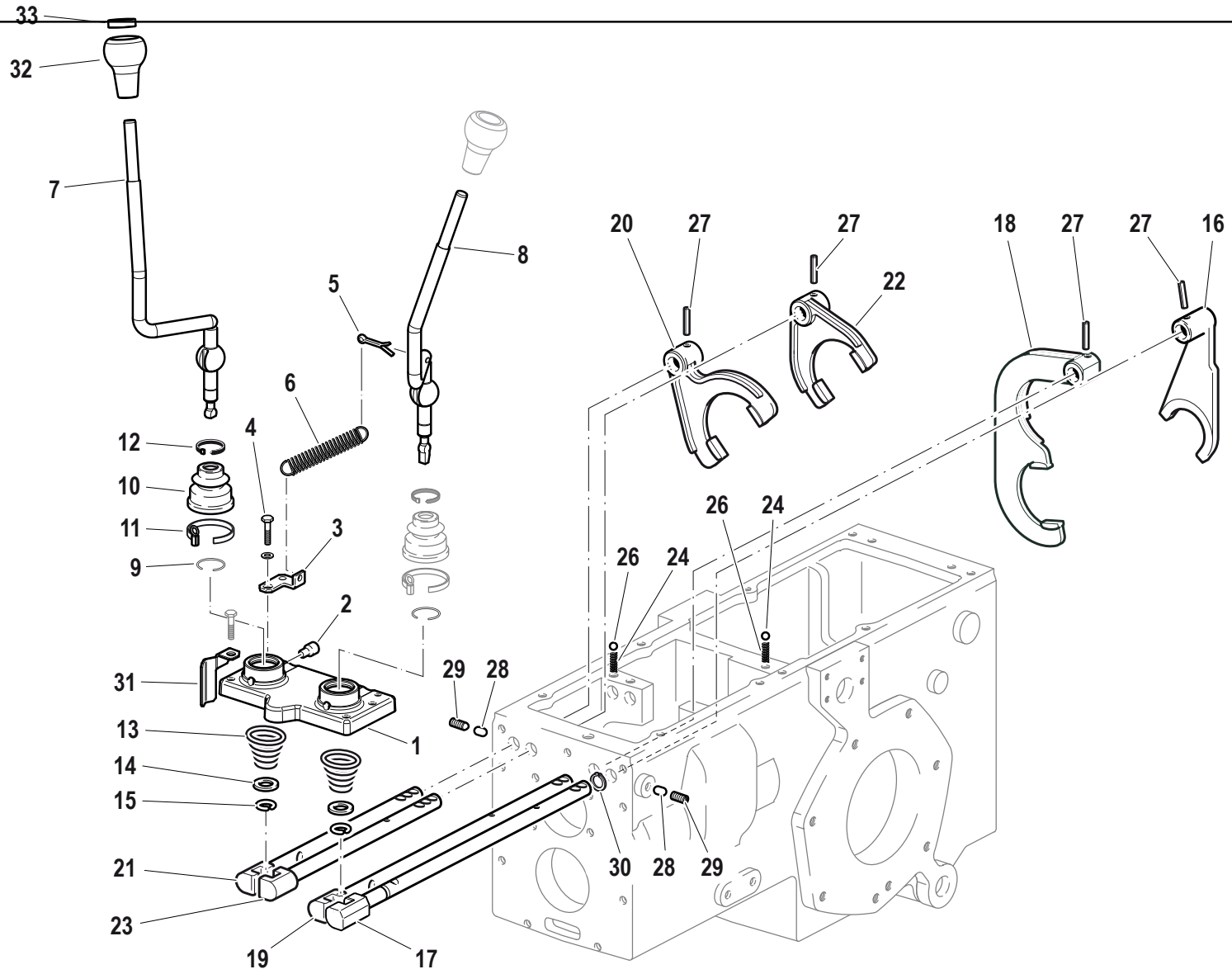
Pos.	Code	Q.ty	Description	Notes
8	37320155	1	ROLLER CAGE 16X20/13	
4	52472646	1	SLIDING GEAR	
7	52472654	1	OUTPUT SHAFT	
16	52472659	1	PTO SHAFT	
11	52477748	1	GEAR	
6	524A0911	1	1-2 SPEED SLIDING GEAR	
2	592A0945	1	TRANSMISSION SHAFT	
9	F0801151000	1	SAFETY RING SIC SB20	
12	F0801248000	3	SAFETY RING SIC SB33	
5	F0801331000	1	SEEGER RING E 45 UNI 7435	
15	F0801425000	1	SEEGER RING I 75 UNI 7437	
3	F0812689000	2	ROLLER CAGE K 25X30/20 H	
13	F0812733075	2	ROLLER CAGE K 28X33/17	
1	F0812849100	1	BEARING 6207-NR	
10	F0812871030	1	ROLLER CAGE K 37X42/17	
14	F0812933000	1	BEARING 6009	

INGRANAGGI ALBERO SECONDARIO



Pos.	Code	Q.ty	Description	Notes
1	38212206	1	OIL SEAL AS 22x42x10	
12	50973529	1	ROLLER BEARING 45x75x16	
16	52472657	1	DRIVEN GEAR	
6	52472852	1	INTERMEDIATE WHEEL	
11	52475450	1	GEAR	
15	52476787	1	SLIDING SLEEVE	
8	524A0912	1	1-2-3 SPEED DRIVE GEAR	
18	56370178	1	SCREW M10x1,5/48 C40BON	
4	56371656	1	ADJUSTING RING	
4	56371657	1	ADJUSTING RING	
4	56371658	1	ADJUSTING RING	
4	56371659	1	ADJUSTING RING	
4	56371660	1	ADJUSTING RING	
17	56371661	1	ADJUSTING RING	
17	56371662	1	ADJUSTING RING	
17	56371663	1	ADJUSTING RING	
17	56371664	1	ADJUSTING RING	
17	56373440	1	ADJUSTING RING	
4	56373440	1	ADJUSTING RING	
19	56376791	1	GEAR PIN	
2	563A0924	1	RING NUT M24x1 CH.46 K30-K40	
5	564A0925	1	BUSHING	
7	F0801241005	5	SAFETY RING SIC SB30	
9	F0801248000	1	SAFETY RING SIC SB33	
14	F0801331100	1	RETAINING RING AV45 M1408	
20	F0812686100	1	ROLLER CAGE K 25X30X24 H	
10	F0812733075	1	ROLLER CAGE K 28X33/17	
3	F0812810100	2	BEARING	
13	F0862037050	1	GRAIN M6X12 UNI 5927	

COMANDI CAMBIO



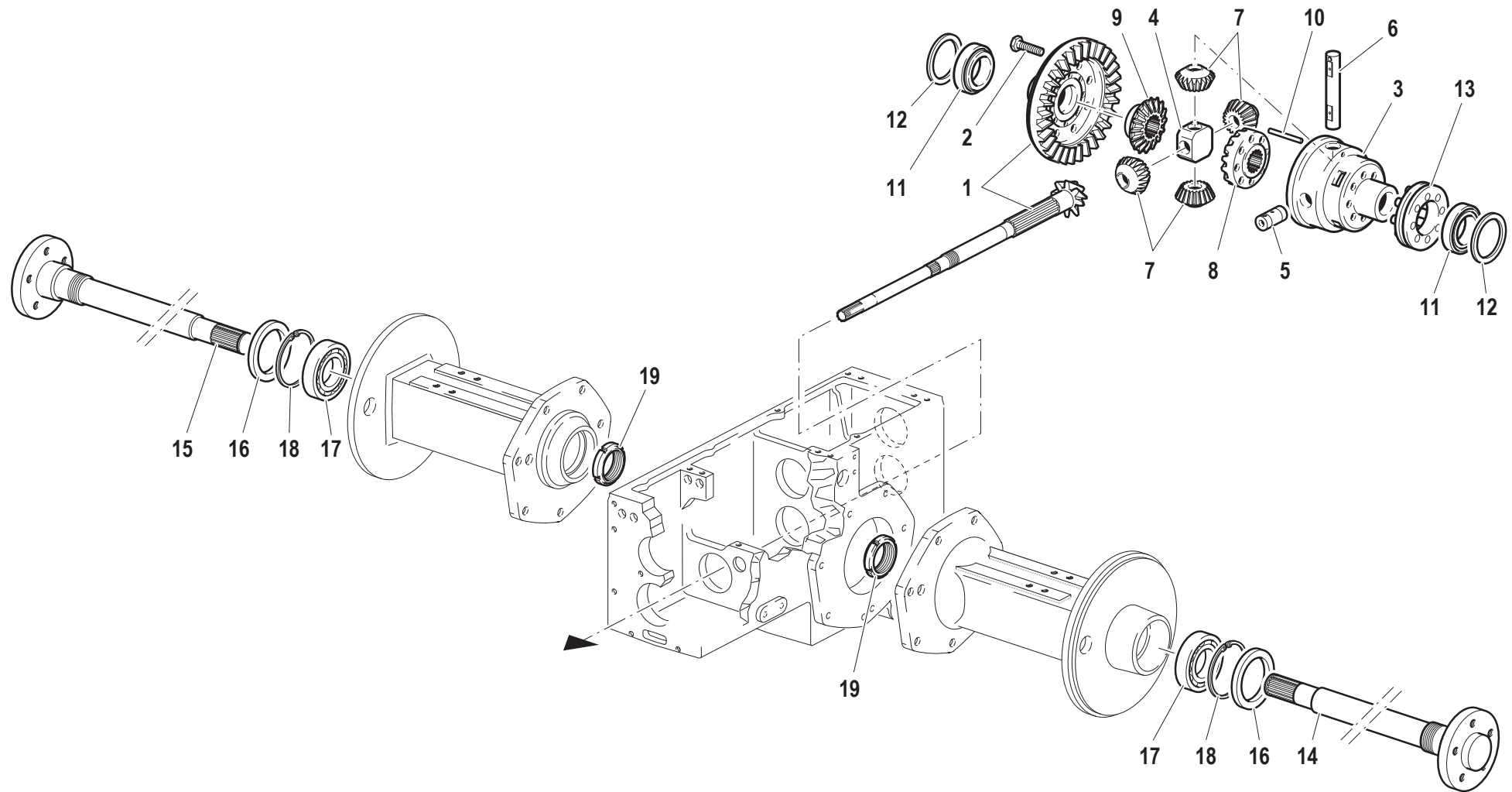
Pos.	Code	Q.ty	Description	Notes
5	34110031	1	SPLIT PIN A3X30 UNI 1336	
30	35121014	1	SEEGER RING E 14 DIN 471	
1	51172684	1	COVER	
20	51272728	1	SELECTOR FORK	
22	51272729	1	SELECTOR FORK	
18	51272730	1	GEAR FORK	
16	522A0634	1	FORK	
10	551A1603	2	GEAR LEVERS CAP	
3	56176795	1	BRACKET	
31	561A1568	1	ACCELER. CABLE STOP BRACKET	
33	561A1576	2	ALU KNOB COVER	
2	56370018	4	HINGE PIN	
14	56370172	2	SPACER D.14x24x2,5 8.8	
21	563A1011	1	PULL ROD	
23	563A1012	1	PULL ROD	
19	563A1013	1	PULL ROD	
17	563A1014	1	PULL ROD	
28	56571697	2	TOGGLE	
13	58070164	2	SPRING	
15	58070168	2	LOCKRING	
9	58070169	2	LOCKRING	
24	58070741	4	SPRING	
32	581A1577	2	KNOB	
7	590A1237	1	GEAR CONTROL LEVER	
8	590A1240	1	REVERSE/GEAR CONTROL LEVER	
11	F0817500470	2	CLAMP D.45-51(QB708045W2)	
12	F0817640003	2	CLAMP 4,8x180	
6	F0831139000	1	SPRING	
25	F0843522010	6	WASHER 4	
26	F0847434000	4	BALL	
27	F0851180000	4	PIN 5X26 DIN 1481 CL:C72	
4	F0862694000	4	SCREW M8X170 UNI 5737	
29	F0863183000	2	SCREW M10X16 UNI 5923	

SERIAL

COMANDI CAMBIO

CODE REV

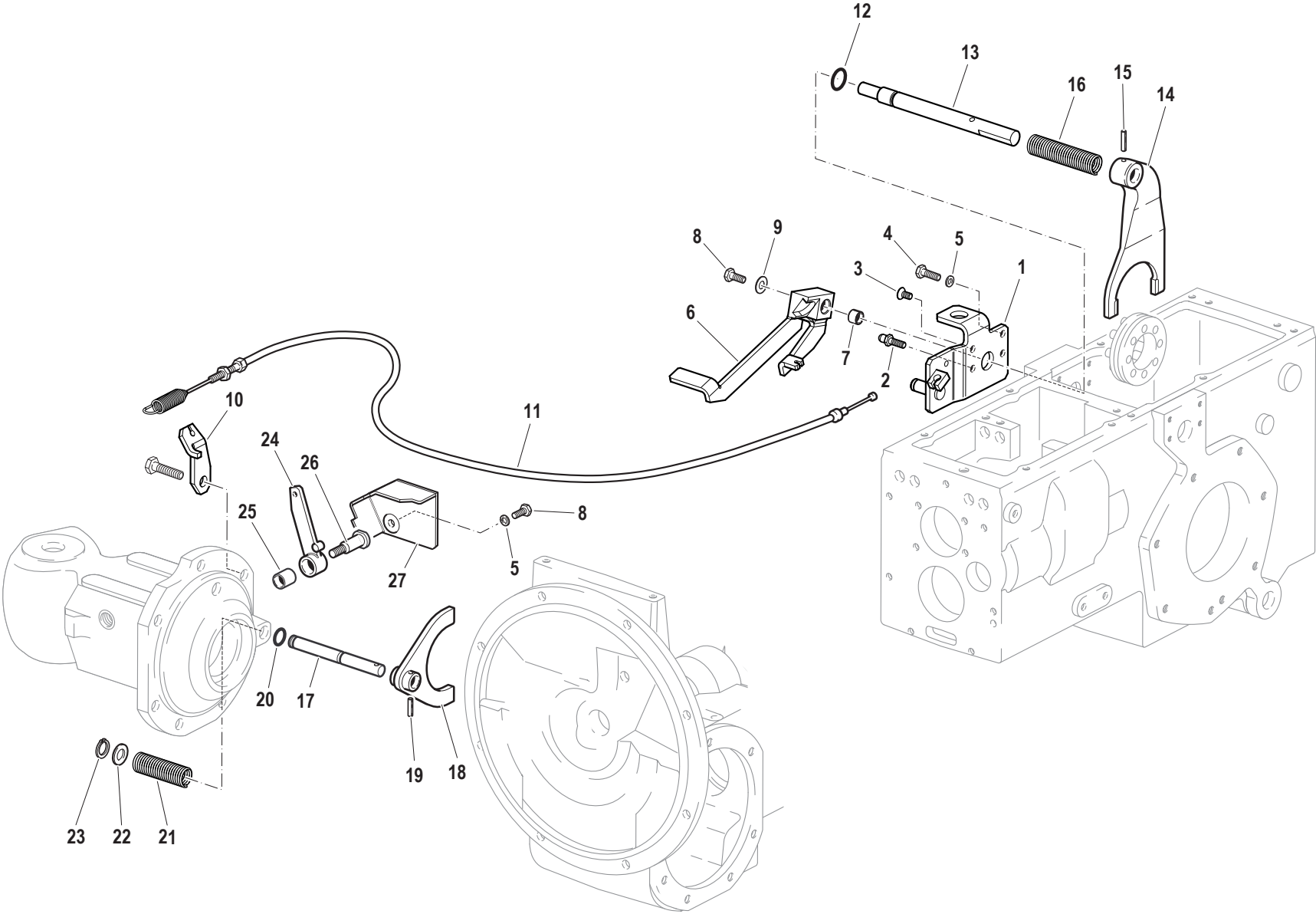
D.08.01.L20001\_0



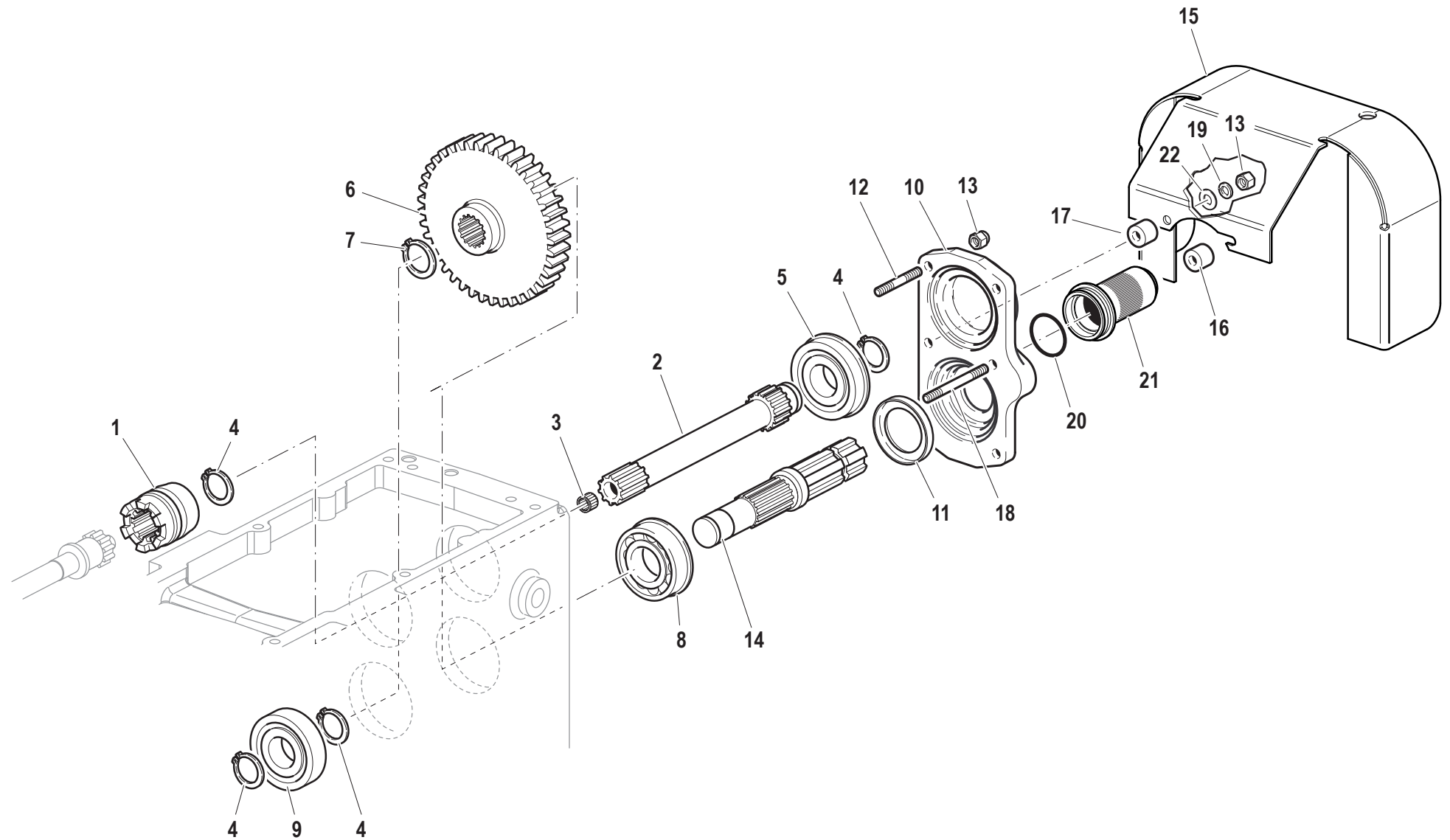
Pos.	Code	Q.ty	Description	Notes
18	35111080	2	SEEGER RING I 80 DIN 472	
17	37111404	2	BEARING 6208 (40X80X18) SKF	
3	51374867	1	HOUSING	
7	52471509	4	PLANETARY GEAR	
8	52472700	1	CROWN WHEEL	
9	52472701	1	CROWN WHEEL	
14	52472711	1	REAR AXLE SHAFT	
15	52472712	1	REAR AXLE SHAFT	
10	56371994	3	PIN	
12	56372702	1	RING	
12	56372703	1	RING	
12	56372704	1	RING	
12	56372705	1	RING	
12	56372706	1	RING	
6	56471508	1	PIN	
5	56472695	2	PIN	
13	56472698	1	SLEEVE	
4	56572694	1	SMALL BLOCK	
1	592A0915	1	BEVEL GEAR	
16	F0802239052	2	SEAL 50X80X8	
11	F0812895100	2	BEARING 32009X	
19	F0821057000	2	SELFLOCK.RING NUT M40x1,5/D=5	
2	F0863267050	8	SCREW M10x25	



# BLOCCAGGIO DIFFERENZIALE

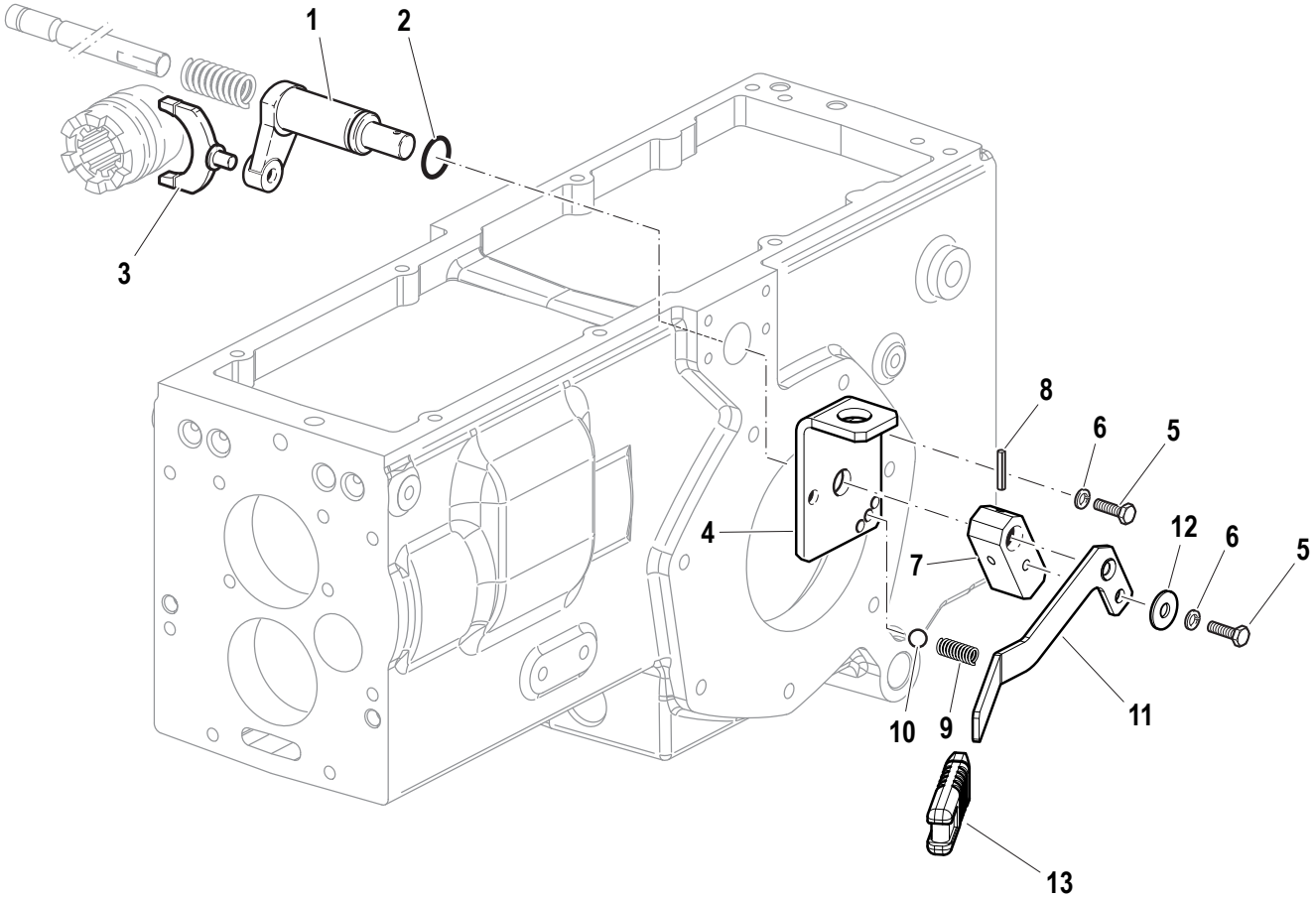


Pos.	Code	Q.ty	Description	Notes
7	30030016	1	BUSHING 14x25	
8	31111151	2	SCREW TE M8X16 UNI 5739 8G	
4	31112150	2	SCREW TE M8X20 UNI 5739 8G	
3	31132565	1	SCREW TSVEI M8x16 UNI 5933	
9	31411090	1	WASHER 9x24	
23	35121014	1	SEEGER RING E 14 DIN 471	
20	38110913	1	O-RING 109 (9,13X2,62)	
14	51372697	1	FORK	
2	561A1267	1	SCREW	
10	561A1434	1	BRACKET	
26	56371777	1	HINGE PIN	
17	56372674	1	PULL ROD	
13	563A1276	1	DIFFERENTIAL LOCK CONTROL ROD	
16	58070198	1	SPRING	
21	58070205	1	SPRING	
11	581A1471	1	CABLE	
24	59071779	1	COMMAND LEVER	
18	59072675	1	SELECTOR FORK	
27	59072678	1	SHIELD	
1	590A1248	1	PLATE	
6	590A1265	1	PEDAL	
12	F0803178000	1	O-RING 117	
25	F0804052000	1	BUSHING 18X14/17,8	
5	F0843643060	4	WASHER 8	
22	F0843957000	1	WASHER D.25x14,5/2,2	
19	F0851260000	1	PIN 6X24 DIN 1481	
15	F0851267050	1	PIN 6X30 DIN 7343 CL:C72	

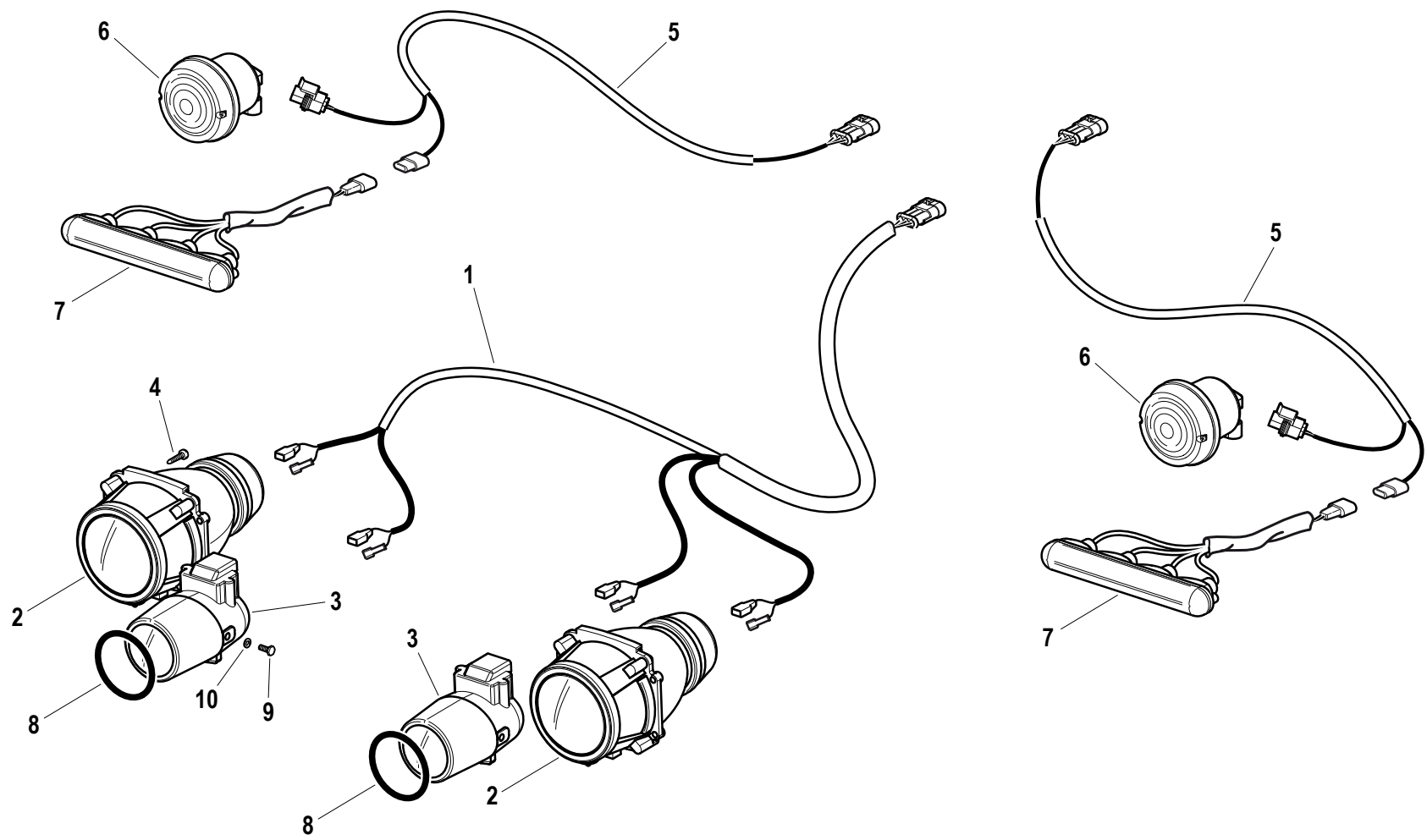


Pos.	Code	Q.ty	Description	Notes
13	31211080	6	NUT M8	
22	31411084	1	WASHER 8,4x17	
4	35121030	3	SEEGER RING E 30 DIN 471	
9	37111303	1	BEARING 6306 (30X72X19) SKF	
10	51176022	1	COVER	
14	52473521	1	SHAFT	
1	52474190	1	GEAR SLEEVE	
2	524A0919	1	PTO REAR SHAFT	
6	524A0922	1	PTO OUTPUT GEAR	
15	560A1035	1	P.T.O. PROTECTION	
16	56172079	1	SPACER D.18x9/9	
17	56172080	1	SPACER D.18x9/15	
7	F0801264050	1	SEEGER RING E 35X2,5 U/7436	
11	F0802190010	1	SEAL 42x62/7	
3	F0812525100	1	BUSHING HK1210-B	
5	F0812779000	1	BEARING 6306-NR	
8	F0812849100	1	BEARING 6207-NR	
12	F0838131000	4	STUD BOLT M8X20 UNI 5911 8.8	
18	F0838166018	2	STUD BOLT M8X45 UNI 5911 8.8	
19	F0843643060	1	WASHER 8	
21	P470330000000	1	GUARD	
20	P470433000000	1	PROTECTIVE RING	

COMANDI PRESA DI FORZA

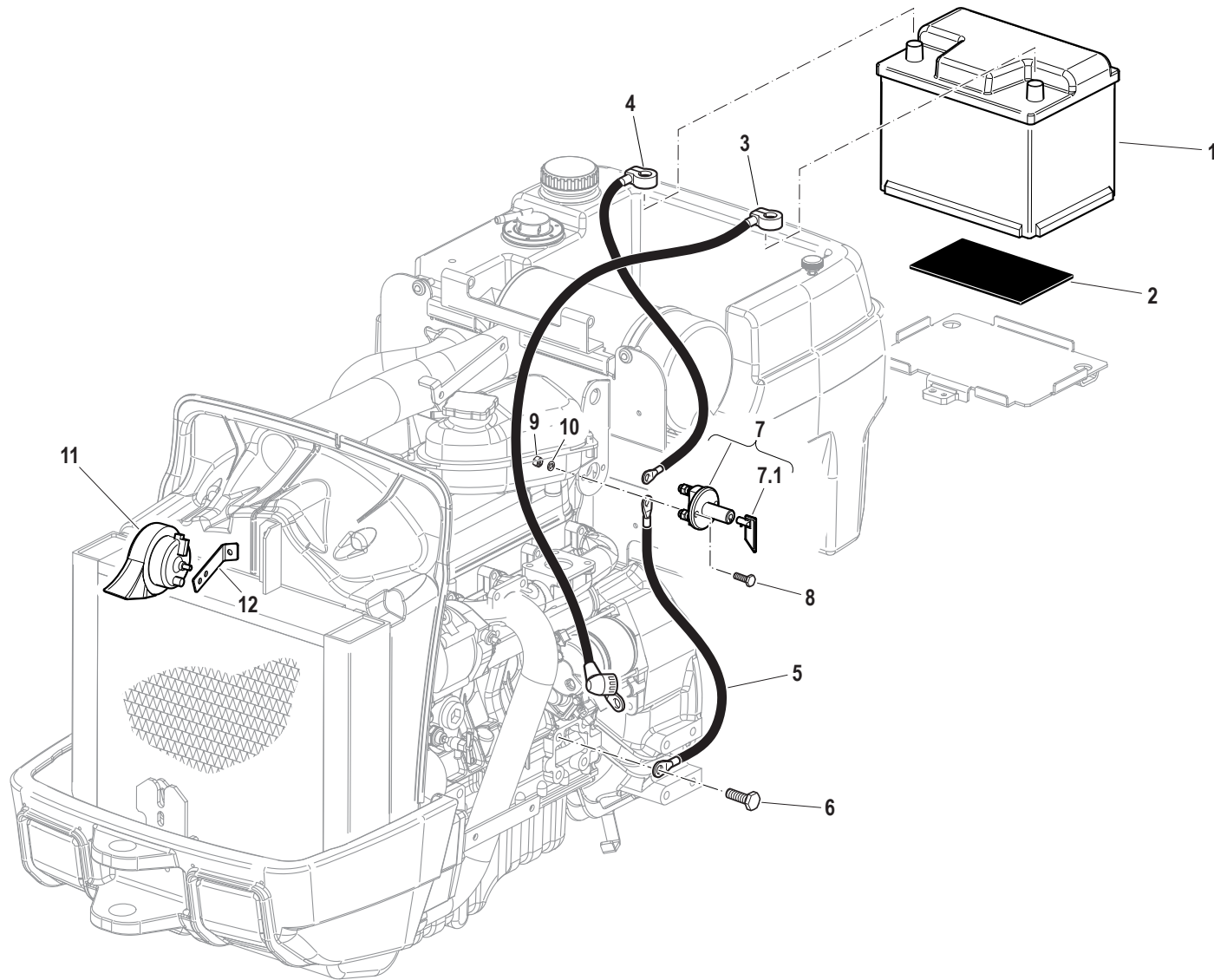


Pos.	Code	Q.ty	Description	Notes
5	31112150	3	SCREW TE M8X20 UNI 5739 8G	
12	31411090	1	WASHER 9x24	
8	34211054	1	ROLL PIN	
2	38112200	1	O-RING 3087 (22,00X2,62)	
1	52371679	1	LEVER	
3	52472430	1	SELECTOR FORK	
7	561A0430	1	SMALL BLOCK	
4	563A1252	1	PTO SELECTION PLATE	
9	58070741	1	SPRING	
13	58175187	1	KNOB	
11	590A1402	1	PTO COMPLETE LEVER	
6	F0843643060	3	WASHER 8	
10	F0847434000	1	BALL	

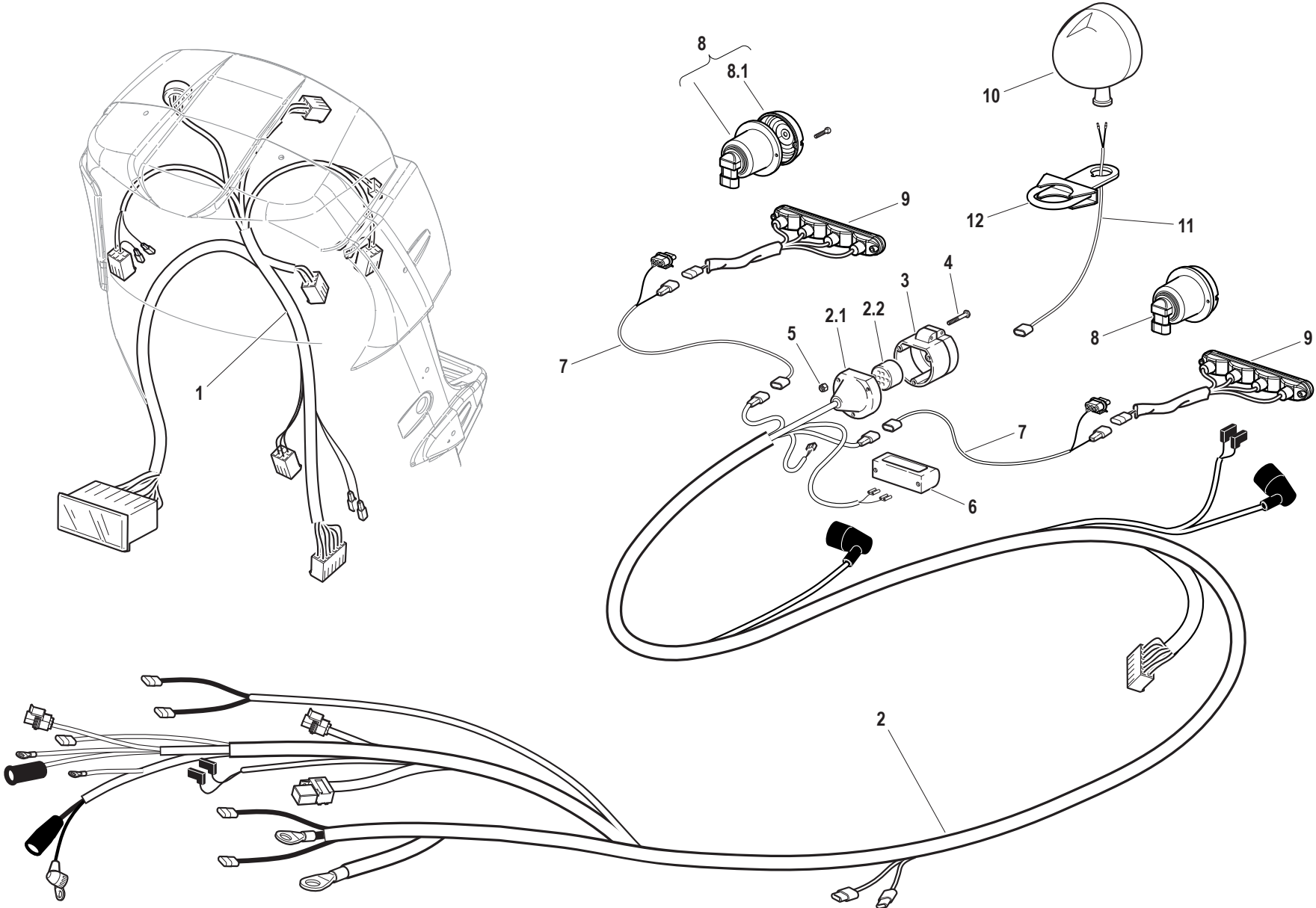


Pos.	Code	Q.ty	Description	Notes
3	30000510	2	HEADLIGHT	
8	573A1574	2	GASKET	
5	580A0479	2	CABLE	
1	580A1344	1	CABLE	
7	58176406	2	INDICATOR	
2	581A0071	2	OPTICAL GROUP	
6	581A0988	2	LAMP	
10	F0843561000	4	WASHER 5	
4	F0861867050	8	SCREW M4,2X19 DIN 7981	
9	F0861929060	4	SCREW M5X12 UNI 5739	

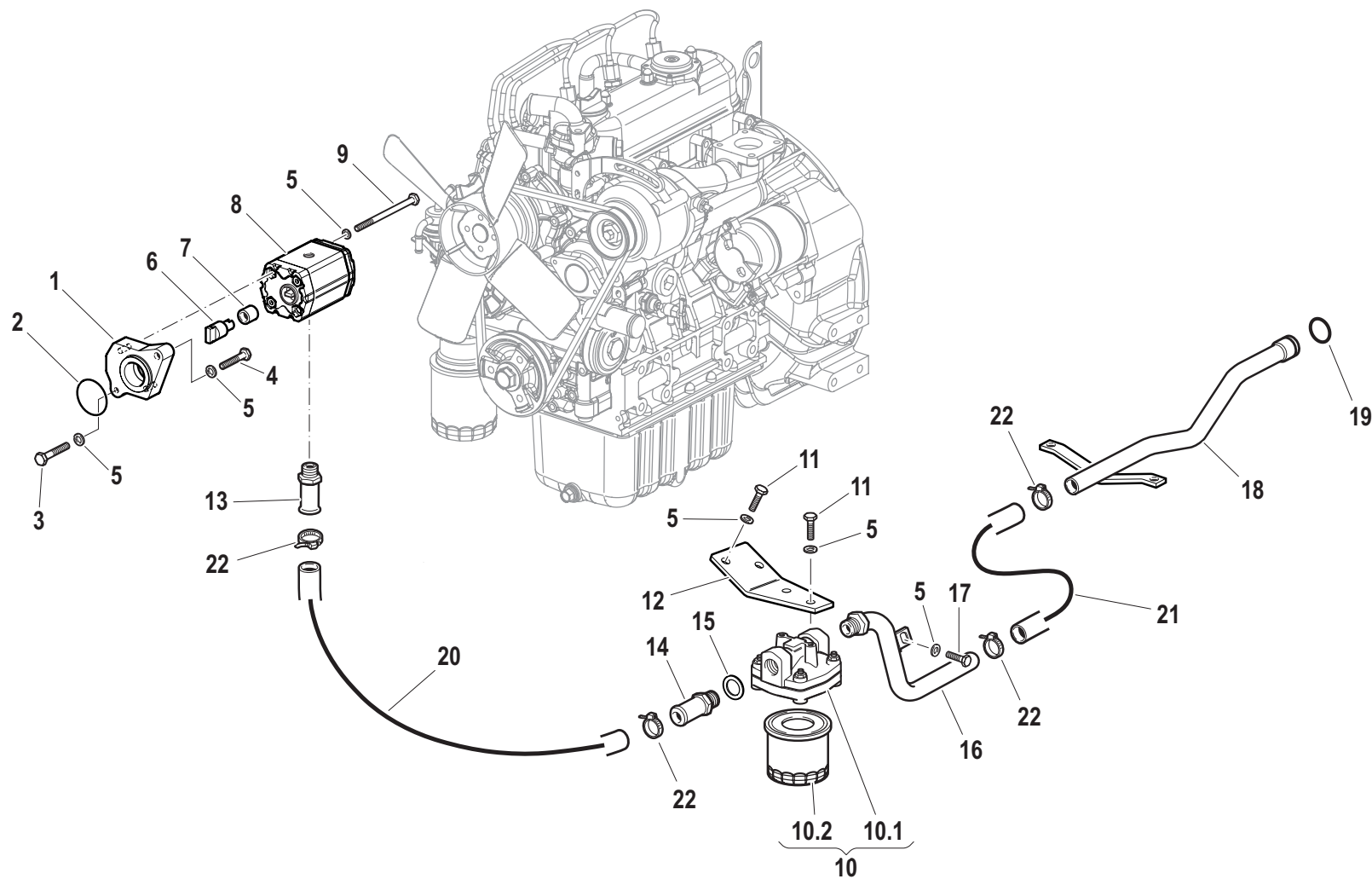




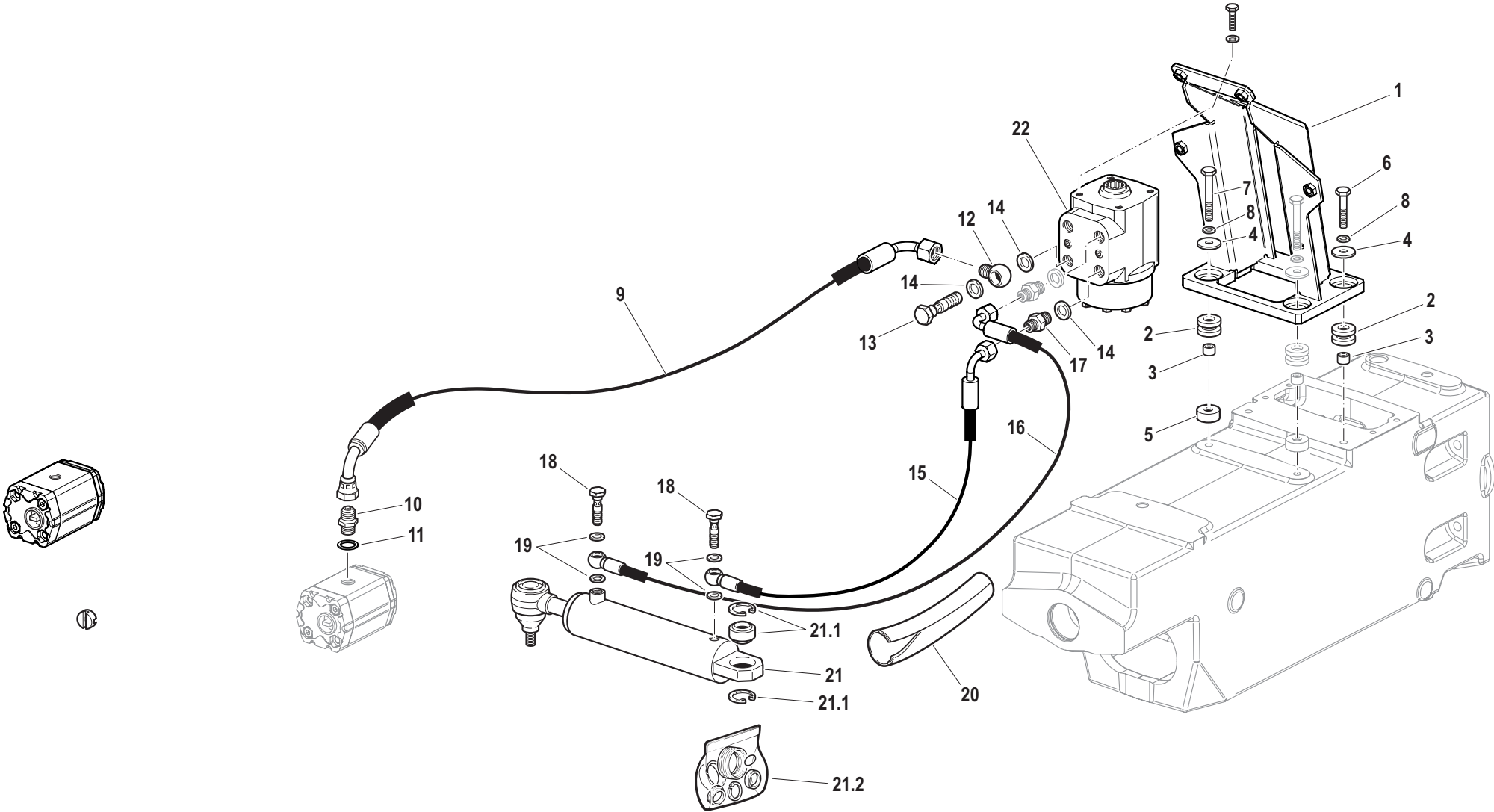
Pos.	Code	Q.ty	Description	Notes
7	30000644	1	SWITCH	
8	31112093	2	SCREW TE M6X20	
6	31112900	1	SCREW TE M10X1,25X20 UNI5740	
9	31211060	2	HEXAGONAL NUT M8	
12	561A0929	1	FIXING BRACKET	
2	57370321	1	RUBBER	
3	58071313	1	CABLE	
4	580A1572	1	CABLE	
5	580A1573	1	CABLE	
1	58119799	1	BATTERY	
7.1	59901474	1	SWITCHING LEVER	
11	F0825417000	1	HORN	
10	F0843570000	2	WASHER 6	



Pos.	Code	Q.ty	Description	Notes
6	30000506	1	LAMP	
5	31211050	3	NUT M5	
11	58077305	1	CABLE	
7	580A0481	2	CABLE	
2	580A1901	1	CABLE	
1	580A1902	1	CABLE	
2.2	58170571	1	ATTACHMENT PLUG	
2.1	58170572	1	CAP	
8	58176396	2	LAMP	
9	58176406	2	INDICATOR	
12	59077242	1	SUPPORT	
8.1	59901087	2	REAR LIGHT GLASS	
3	F0825438000	1	SOCKET	
10	F0825493000	1	HEADLIGHT	
4	F0861941000	3	SCREW M5X35 UNI 6107	

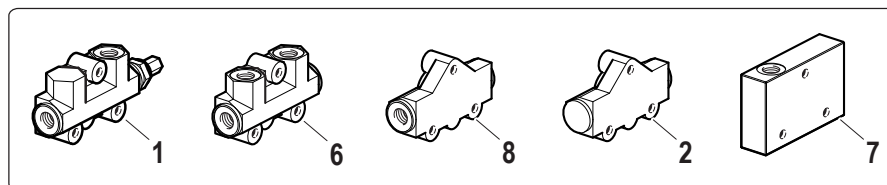
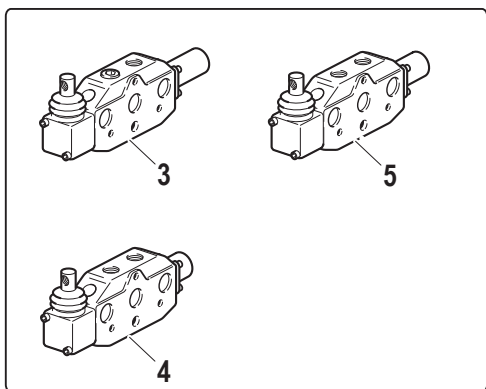


Pos.	Code	Q.ty	Description	Notes
17	31111151	1	SCREW TE M8X16 UNI 5739 8G	
9	31111166	2	SCREW TE M8x95 UNI 5737 8G	
11	31112150	2	SCREW TE M8X20 UNI 5739 8G	
4	31112152	1	SCREW TE M8X30 UNI 5739 8G	
3	31112153	1	SCREW TE M8X35 UNI 5739 8G	
19	38112507	1	O-RING 3100 (25,07X2,62)	
2	38114450	1	RING OR (46X2) CORCOS 60217	
14	56170350	1	PIPE FITTING	
13	56172917	1	PIPE FITTING	
12	56174287	1	RETAINER	
7	561A1221	1	BUSHING D.18x12,1R8/17	
1	561A1673	1	PUMP CONNECTION FLANGE	
6	563A1219	1	CONTROL SHAFT	
20	58172142	1	FLEXIBLE HOSE	
10	58173337	1	FILTER	
21	58173506	1	FLEXIBLE HOSE	
10.2	58173642	1	FILTER INSERT	
8	581A1555	1	LIFT PUMP	
18	59074860	1	SUCTION PIPE	
16	590A1470	1	SUCTION PIPE	
22	F0817523200	4	CLAMP	
15	F0824185000	1	COPPER WASHER 26X34X1,5	
10.1	F0825718010	1	FILTER HEAD	
5	F0843643060	7	WASHER 8	

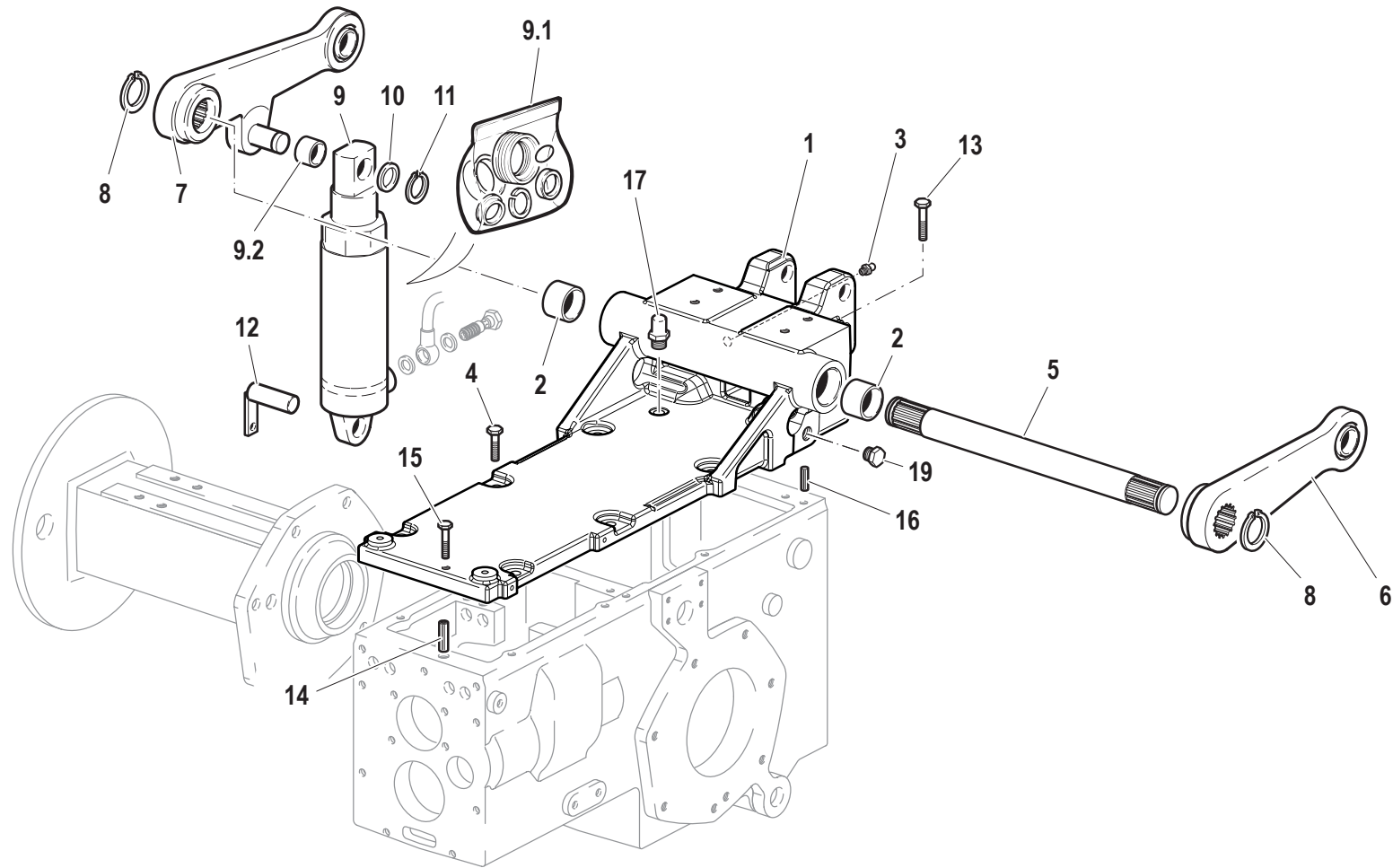


Pos.	Code	Q.ty	Description	Notes
10	30000197	1	NIPPLE	
6	31112211	2	SCREW TE M10X30 UNI 5739	
7	31112214	2	SCREW TE M10X45 UNI 5739	
2	55175174	4	BLOCK	
3	56171954	4	SPACER D.14x10/13	
5	561A1520	2	SPACER D.30x10,5/13	
20	57372345	1	SHIELD	
15	58072133	1	FLEXIBLE HOSE	
16	58072269	1	FLEXIBLE HOSE	
9	580A1450	1	FLEXIBLE HOSE	
21	58172745	1	STEERING CYLINDER	
22	581A1599	1	HYDROSTEERING	
1	590A1346	1	HOLDER COUPLING	
21.1	59900176	1	BUSHING	
21.2	59900177	1	GASKET SET	
11	F0824110000	1	COPPER WASHER 3/8 GAS	
14	F0824141000	4	COPPER WASHER 21x27/1,5	
17	F0835040000	2	NIPPLE	
12	F0842512000	1	PIPE FITTING	
18	F0843109000	2	PIPE FITTING 14x1,5	
13	F0843116000	1	PIPE FITTING 1/2	
8	F0843755000	4	WASHER 10 DIN 128-B	
4	F0843818000	4	WASHER 11x30/2,5	
19	F0843948000	4	COPPER WASHER 14,0x20/1,5	



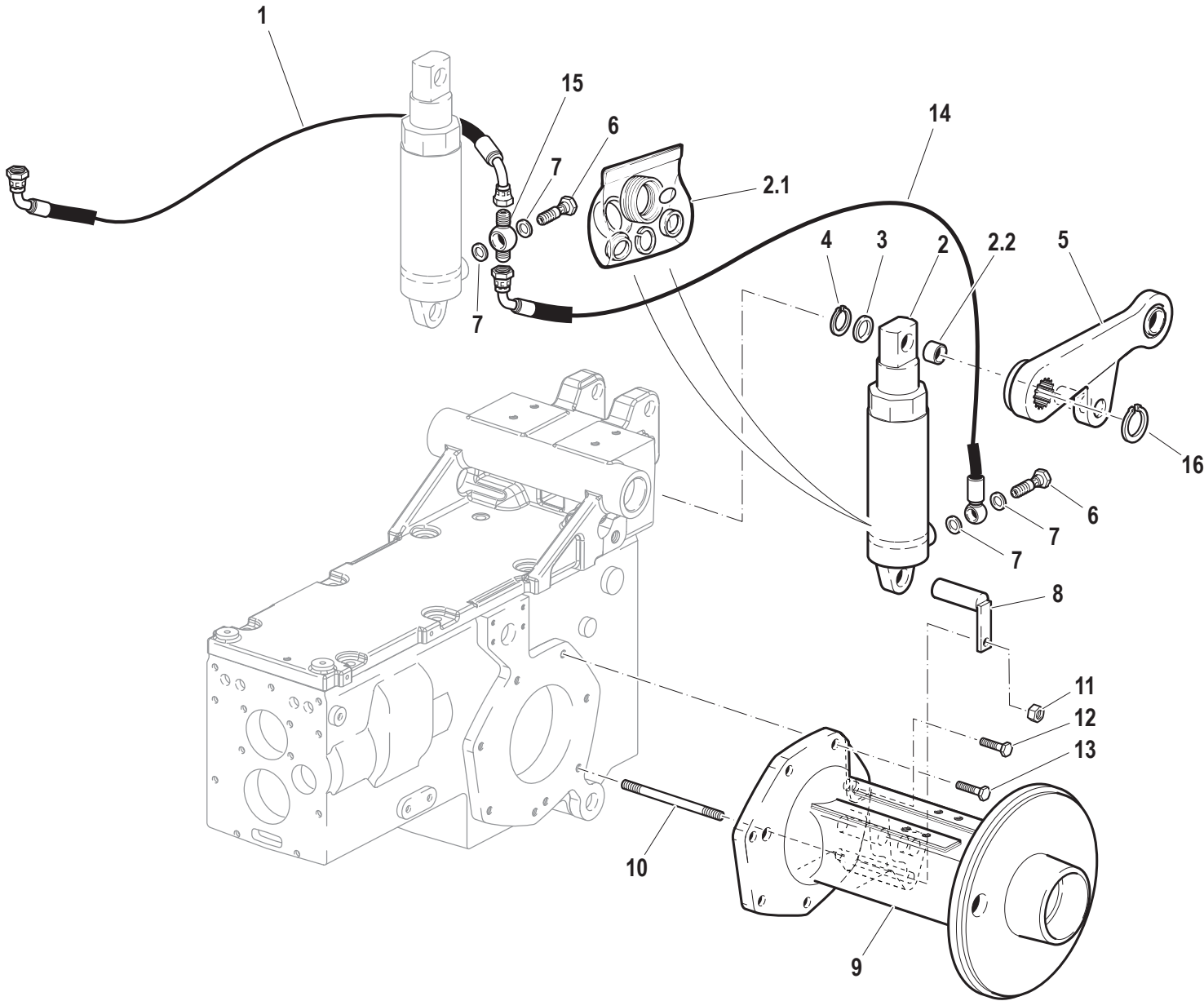


Pos.	Code	Q.ty	Description	Notes
10	31111165	1	SCREW TE M8X100 UNI 5737 8G	
11	31112178	1	SCREW TE M8X130 UNI 5737	
12	31112183	1	SCREW M8x160 UNI5737 8.8	
3	58172011	1	S.A. VALVE	
4	58172012	1	D.A. VALVE	
5	58172013	1	D.A. VALVE	
9	58172014	1	D.A. VALVE	
2	58172489	1	COVER	
7	58173361	1	COVER	
6	581A0443	1	IN HEAD	
1	581A1422	1	IN HEAD	
8	581A1423	1	SEALING COVER	

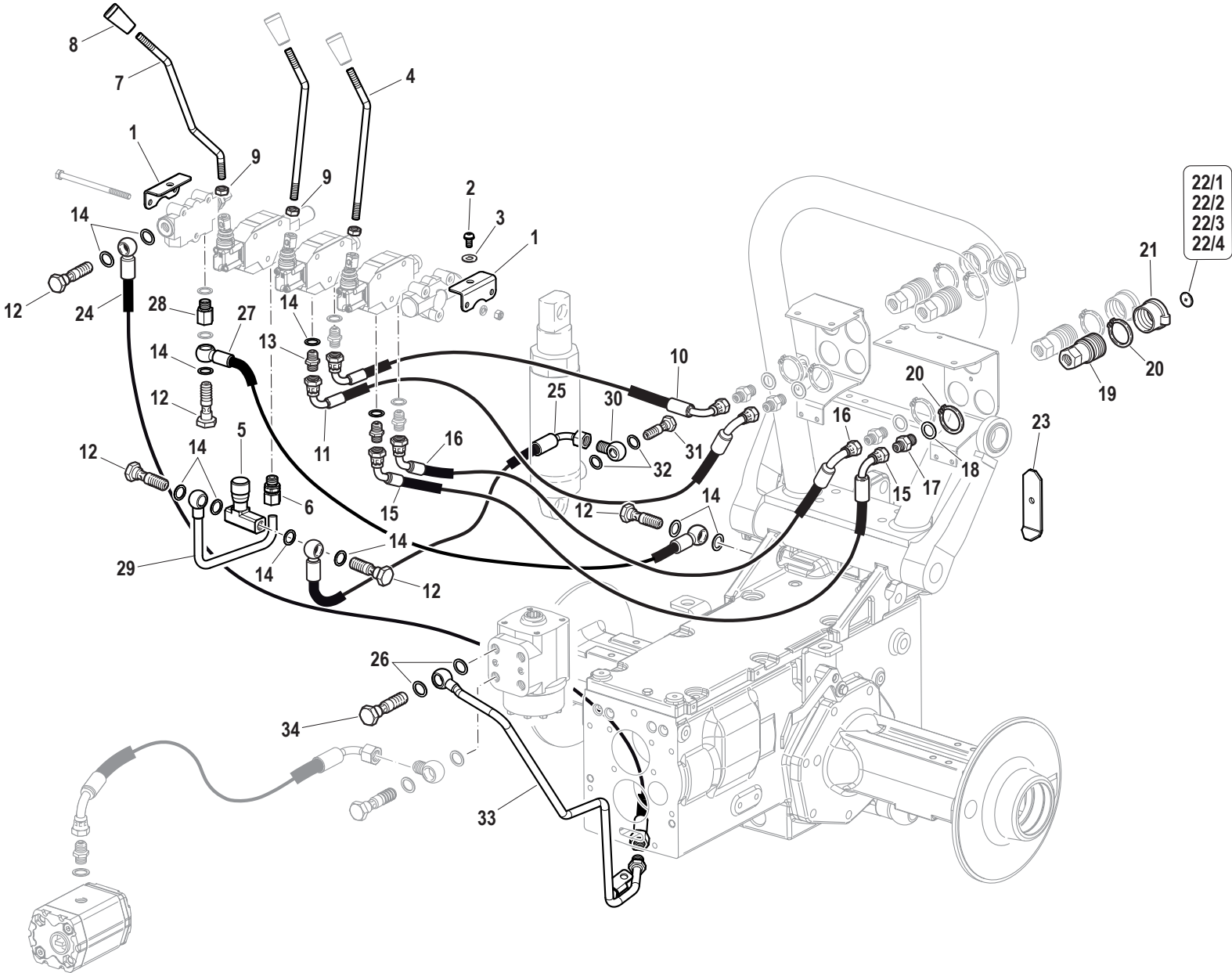


Pos.	Code	Q.ty	Description	Notes
17	30040005	1	PLUG TS1 1/4 GAS	
15	31112154	1	SCREW TE M8X40 UNI 5739 8G	
13	31112212	4	SCREW TE M10X35 UNI 5739	
4	31112219	6	SCREW TE M10X25 UNI 5739	
11	35121022	1	SEEGER RING E 20 UNI 7436	
1	511A1365	1	REAR LIFT SUPPORT	
14	56170017	1	PIN	
10	56172905	1	THRUST PLATE	
16	56370228	1	CYLINDRICAL PLUG	
5	56571785	1	SHAFT	
9	58071534	1	LIFTING CYLINDER	
18	58072045	1	PLUG	
2	58171861	2	BUSHING	
7	59072825	1	RIGHT ARM	
6	59072829	1	LIFTING ARM	
12	590A1642	1	CYLINDER HINGED PIN	
9.2	59900180	1	BUSHING	
9.1	59900181	1	GASKET SET	
8	F0801264050	2	SEEGER RING E 35X2,5 U/7436	
3	F0826056000	1	LUBRICATOR M10 UNI 7663A	

2° MARTINETTO DI SOLLEVAMENTO



Pos.	Code	Q.ty	Description	Notes
13	31112264	5	SCREW TE M12X35 UNI 5739	
12	31112272	1	SCREW TE M12X30 UNI 5739	
4	35121022	1	SEEGER RING E 20 UNI 7436	
9	51174104	1	REAR AXLE HOUSING	
3	56172905	1	THRUST PLATE	
2	58071534	1	LIFTING CYLINDER	
14	58072269	1	FLEXIBLE HOSE	
1	580A1442	1	FLEXIBLE HOSE	
5	590A1052	1	LIFTING ARM	
8	590A1642	1	CYLINDER HINGED PIN	
2.2	59900180	1	BUSHING	
2.1	59900181	1	GASKET SET	
16	F0801264050	1	SEEGER RING E 35X2,5 U/7436	
11	F0814695000	1	NUT M12	
10	F0838660000	1	STUD BOLT M12X105 UNI 5911-66	
15	F0842519050	1	PIPE FITTING	
6	F0843107000	2	PIPE FITTING GAS 1/4	
7	F0843907000	4	COPPER WASHER 13,66x19/1,5	



Pos.	Code	Q.ty	Description	Notes
28	30000200	1	EXTENSION M/F3/8 BSP3/8 GH25 PCG06	
9	31211100	4	NUT M10	
3	31411084	2	WASHER 8,4x17	
8	552A1549	4	DEVICE GRIP	
4	56170964	1	COMMAND LEVER	
7	56172770	1	COMMAND LEVER	
23	561A1432F	2	PLATE	
27	580A1447	1	FLEXIBLE HOSE	
25	580A1448	1	FLEXIBLE HOSE	
11	580A1451	1	FLEXIBLE HOSE	
10	580A1452	1	FLEXIBLE HOSE	
15	580A1453	3	FLEXIBLE HOSE	
16	580A1454	3	FLEXIBLE HOSE	
24	580A1563	1	FLEXIBLE HOSE	
30	58170930	1	PIPE FITTING	
6	58172015	1	PIPE FITTING	
1	59072057	4	FIXING BRACKET	
29	590A1436	1	PIPE	
33	590A1562	1	EXHAUST	
20	F0801282000	12	SEEGER RING E 38 UNI 7435	
14	F0824110000	28	COPPER WASHER 3/8 GAS	
18	F0824141000	6	COPPER WASHER 21x27/1,5	
26	F0824141000	3	COPPER WASHER 21x27/1,5	
19	F0825980030	6	COUPLING	
13	F0835023000	4	NIPPLE	
17	F0835040000	6	NIPPLE	
31	F0843107000	1	PIPE FITTING GAS 1/4	
12	F0843109020	11	PIPE FITTING	
34	F0843116000	1	PIPE FITTING 1/2	
32	F0843907000	2	COPPER WASHER 13,66x19/1,5	
21	F0852550100	6	PLUG	
22/1	F0852550200	3	DECAL	
22/4	F0852550210	1	DECAL	
22/2	F0852550220	3	DECAL	

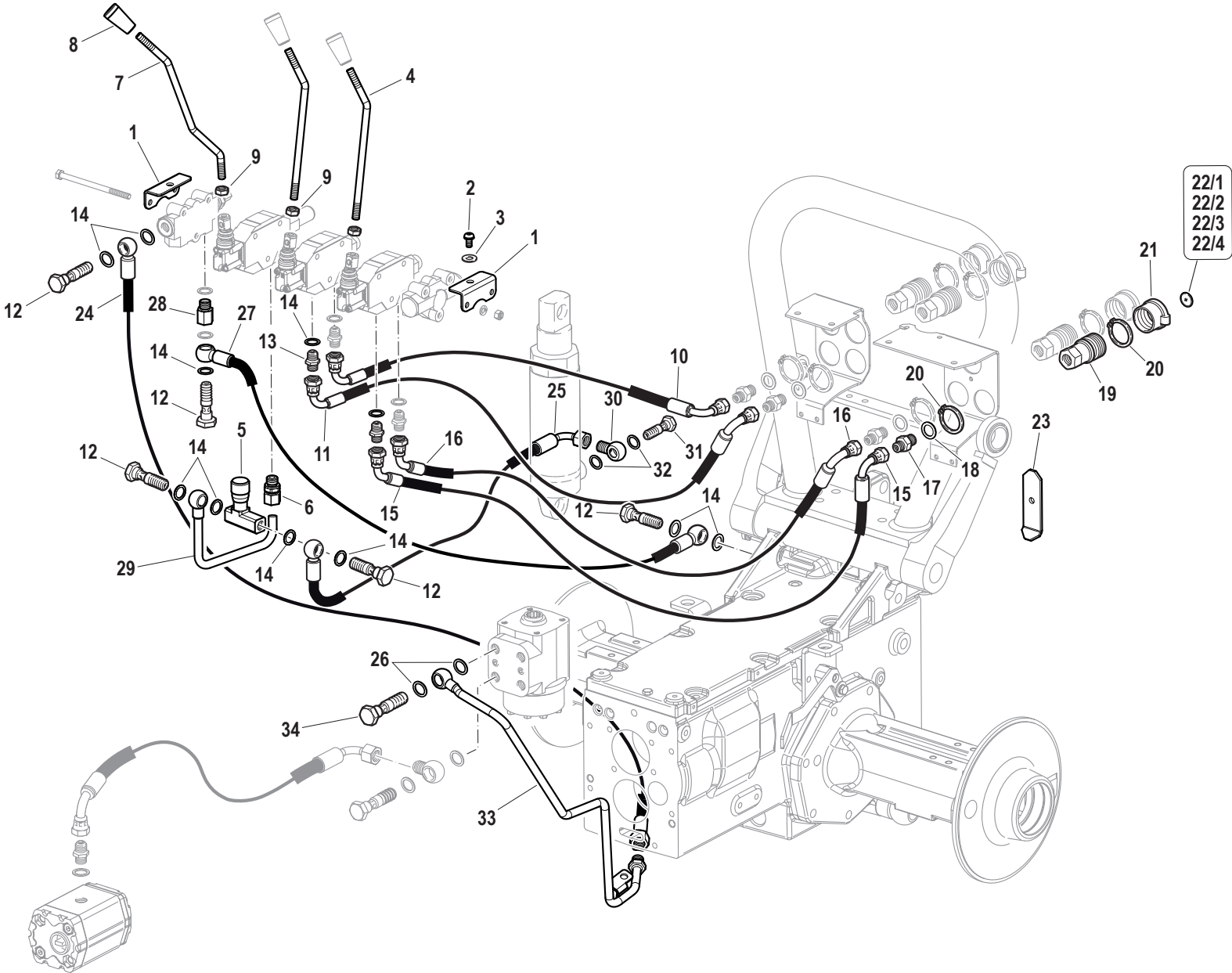
SERIAL

ALLESTIMENTO DISTRIBUTORI

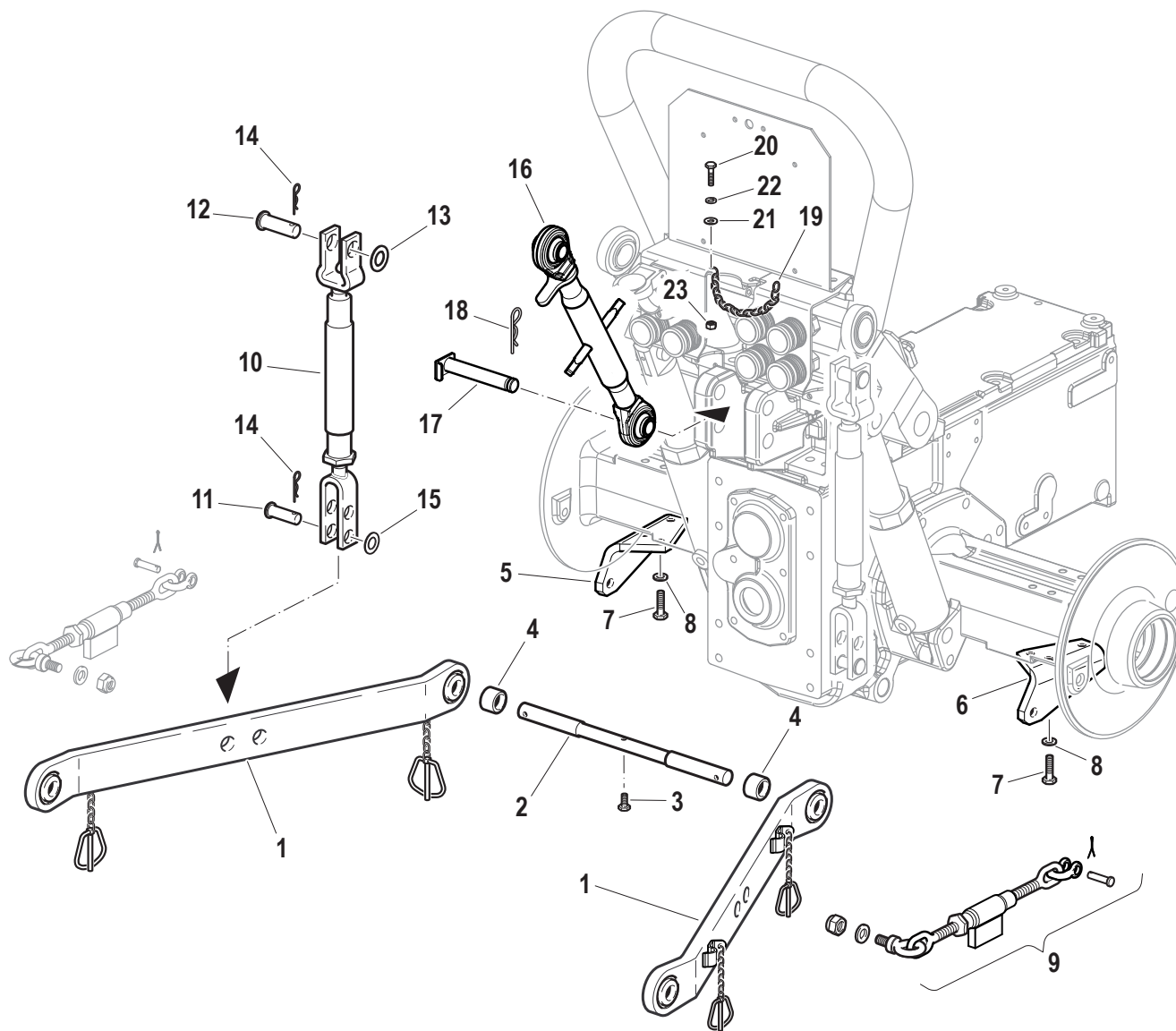
CODE REV

L.03.01.L20002\_0



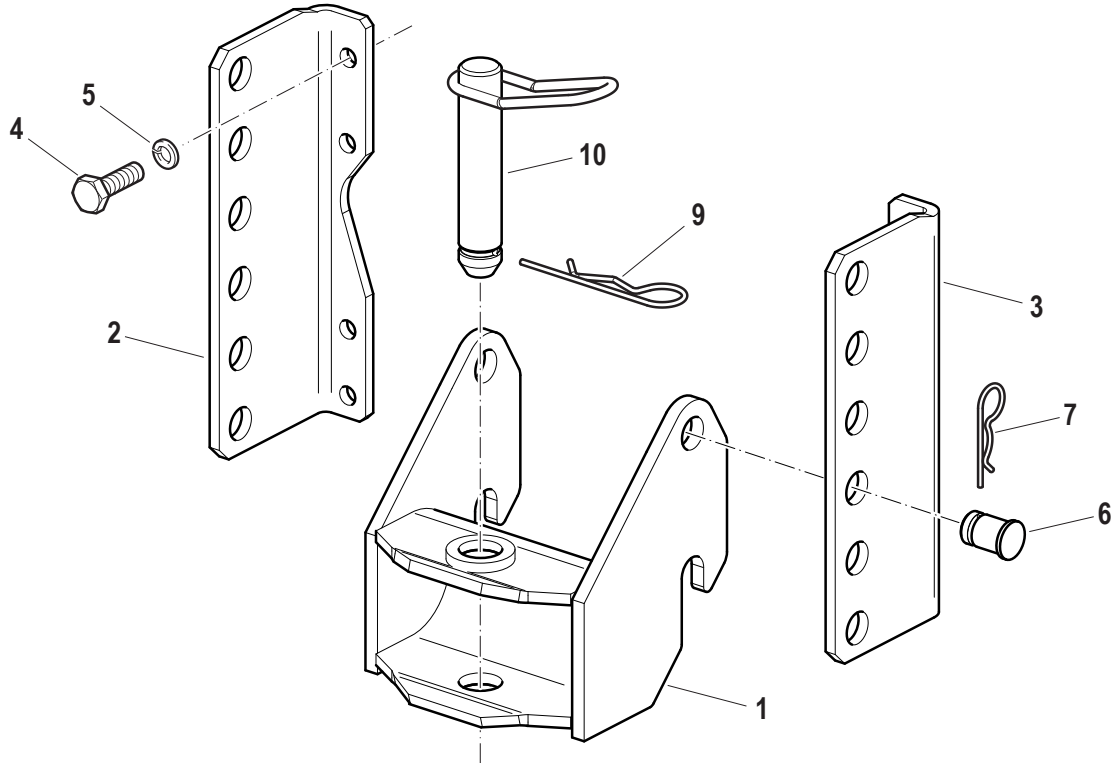


<b>Pos.</b>	<b>Code</b>	<b>Q.ty</b>	<b>Description</b>	<b>Notes</b>
22/3	F0852550230	3	DECAL	
2	F0862479020	4	SCREW M8X16 7380	
5	P241171000000	1	VALVE	

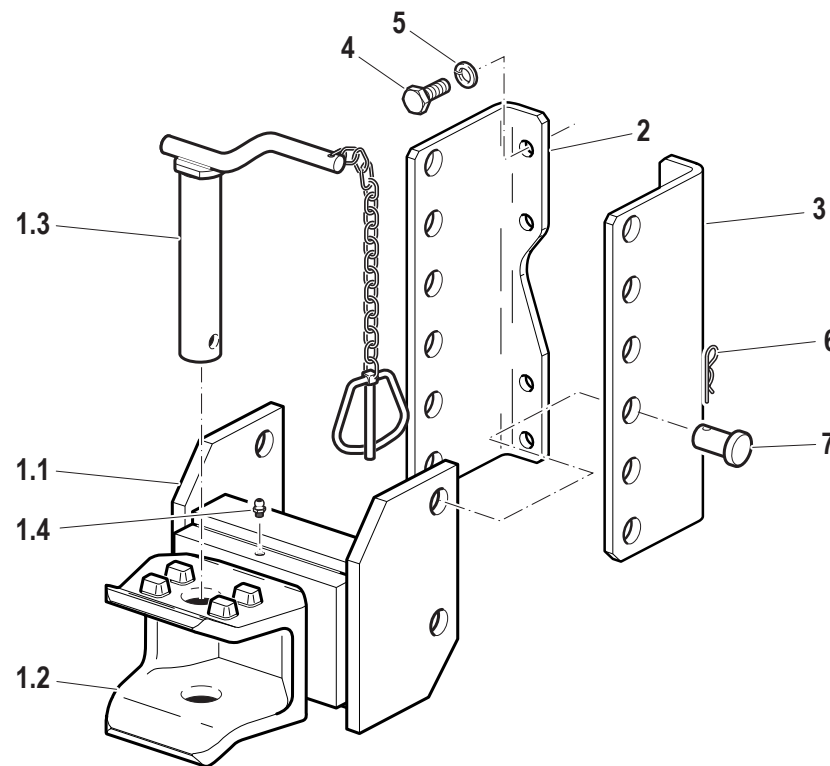
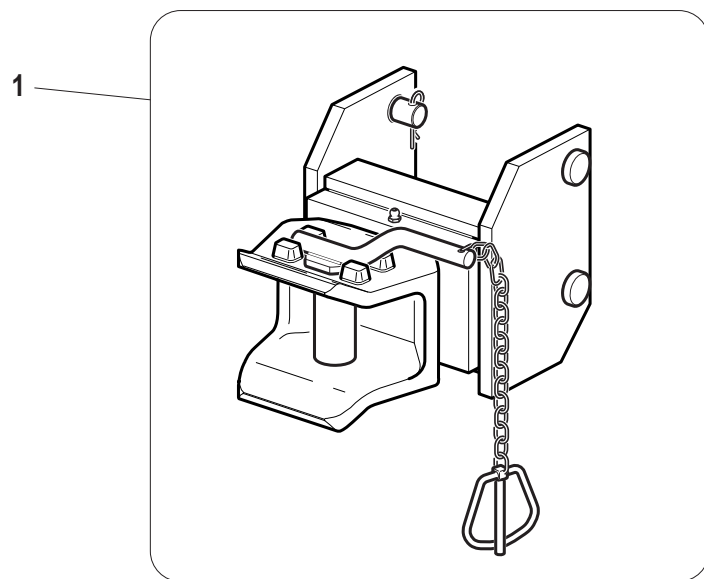


Pos.	Code	Q.ty	Description	Notes
3	31111151	1	SCREW TE M8X16 UNI 5739 8G	
20	31112093	1	SCREW TE M6X20	
7	31112211	4	SCREW TE M10X30 UNI 5739	
23	31211060	1	HEXAGONAL NUT M8	
21	31411066	1	WASHER 6,6x18	
15	31411170	2	WASHER 17x30	
13	31411190	2	WASHER 19x34	
6	56072918	1	SUPPORT	
5	56072919	1	SUPPORT	
11	56372925	2	PIN	
2	56571824	1	PIN	
9	58071998	2	ROD	
12	58072642	2	PIN	
10	58072922	2	ROD	
19	58076369	1	CHAIN	
1	59072913	2	BOTTOM LINK	
17	59078588	1	CONNECTING BOLT	
16	F0060031247	1	3-POINT HITCH	
22	F0843570000	1	WASHER 6	
8	F0843755000	4	WASHER 10 DIN 128-B	
4	F0844283020	2	SPACER D.38x22/22	
14	F0851486000	4	SPLIT PIN	
18	F0851486000	1	SPLIT PIN	

GANCIO DI TRAINO

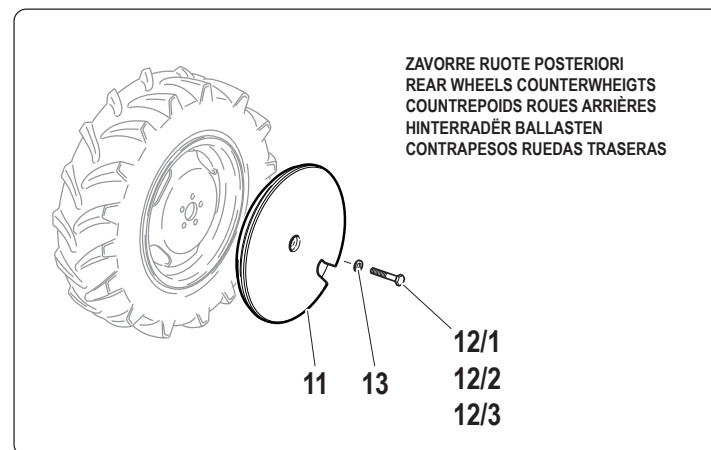
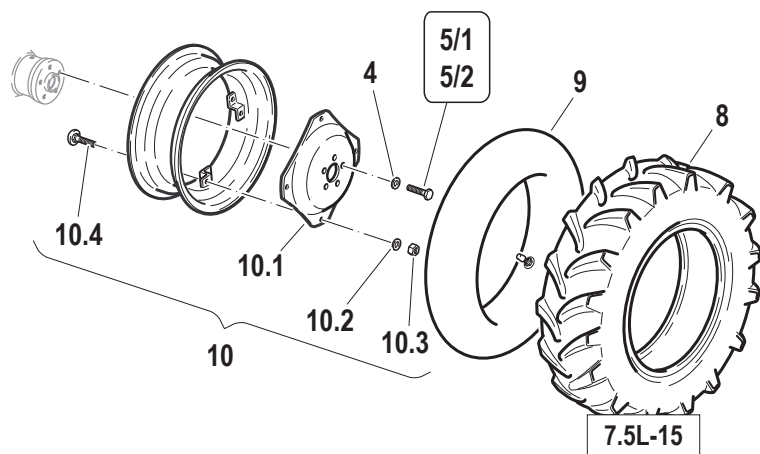
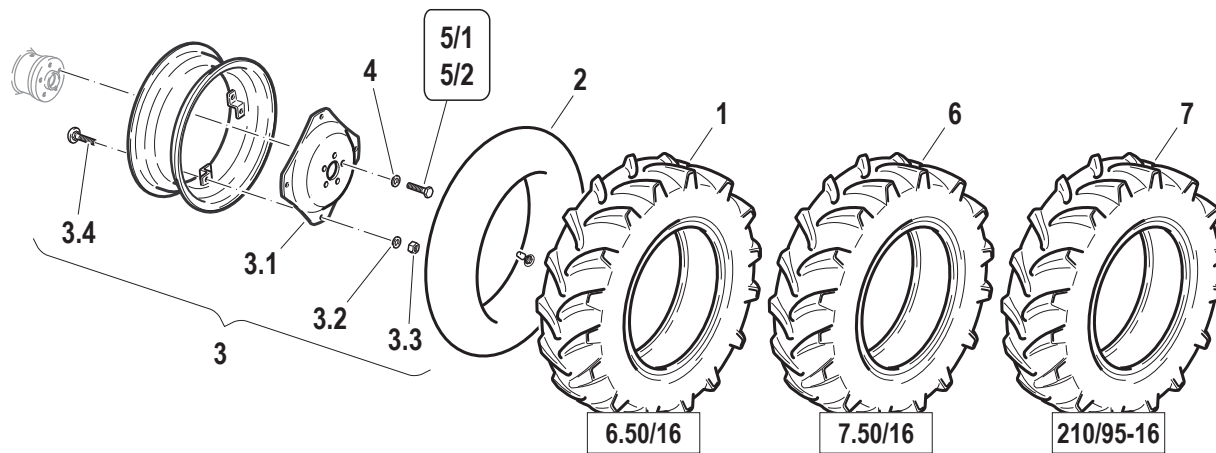


<b>Pos.</b>	<b>Code</b>	<b>Q.ty</b>	<b>Description</b>	<b>Notes</b>
4	31112272	8	SCREW TE M12X30 UNI 5739	
2	56171788	1	SUPPORT	
3	56171789	1	SUPPORT	
6	56372067	4	PIN	
1	590A0728	1	TOW HOOK	
8	F0808060100	1	LATCH D.28X117	
5	F0843843060	8	WASHER 12	
7	F0851486000	4	SPLIT PIN	
9	F0851497000	1	SPLIT PIN	



Pos.	Code	Q.ty	Description	Notes
4	31112272	8	SCREW TE M12X30 UNI 5739	
1.02	51175011	1	EEC HOMOLOGATED HOOK	
1.01	56075018	1	HOOK HINGING GROUP	
2	56171788	1	SUPPORT	
3	56171789	1	SUPPORT	
7	56377980	4	PIN	
1.03	59075012	1	PIN	
1	59375017	1	TOW HOOK	
1.04	F0826056000	1	LUBRICATOR M10 UNI 7663A	
5	F0843843060	8	WASHER 12	
6	F0851486000	4	SPLIT PIN	

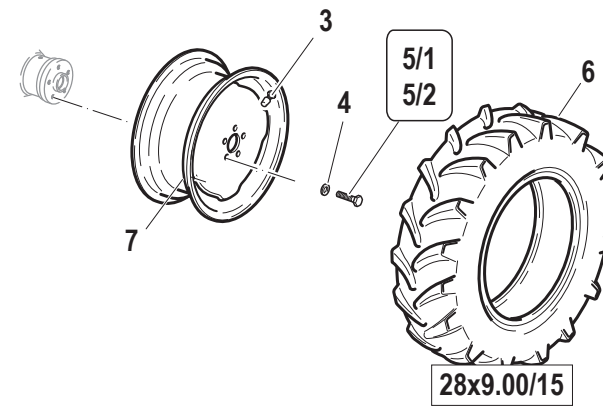
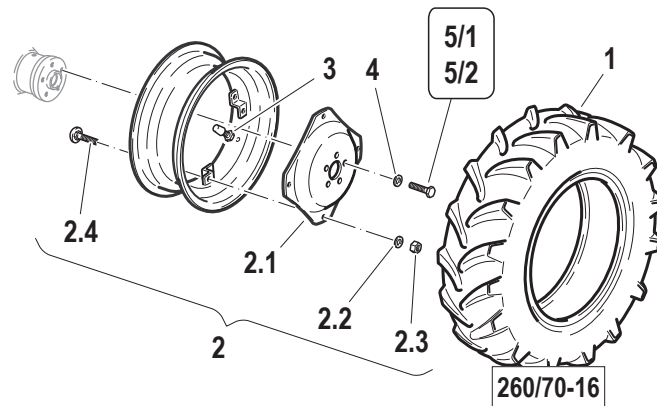




ZAVORRE RUOTE POSTERIORI  
 REAR WHEELS COUNTERWEIGHTS  
 COUNTREPOIDS ROUES ARRIÈRES  
 HINTERRADÉR BALLASTEN  
 CONTRAPESOS RUEDAS TRASERAS

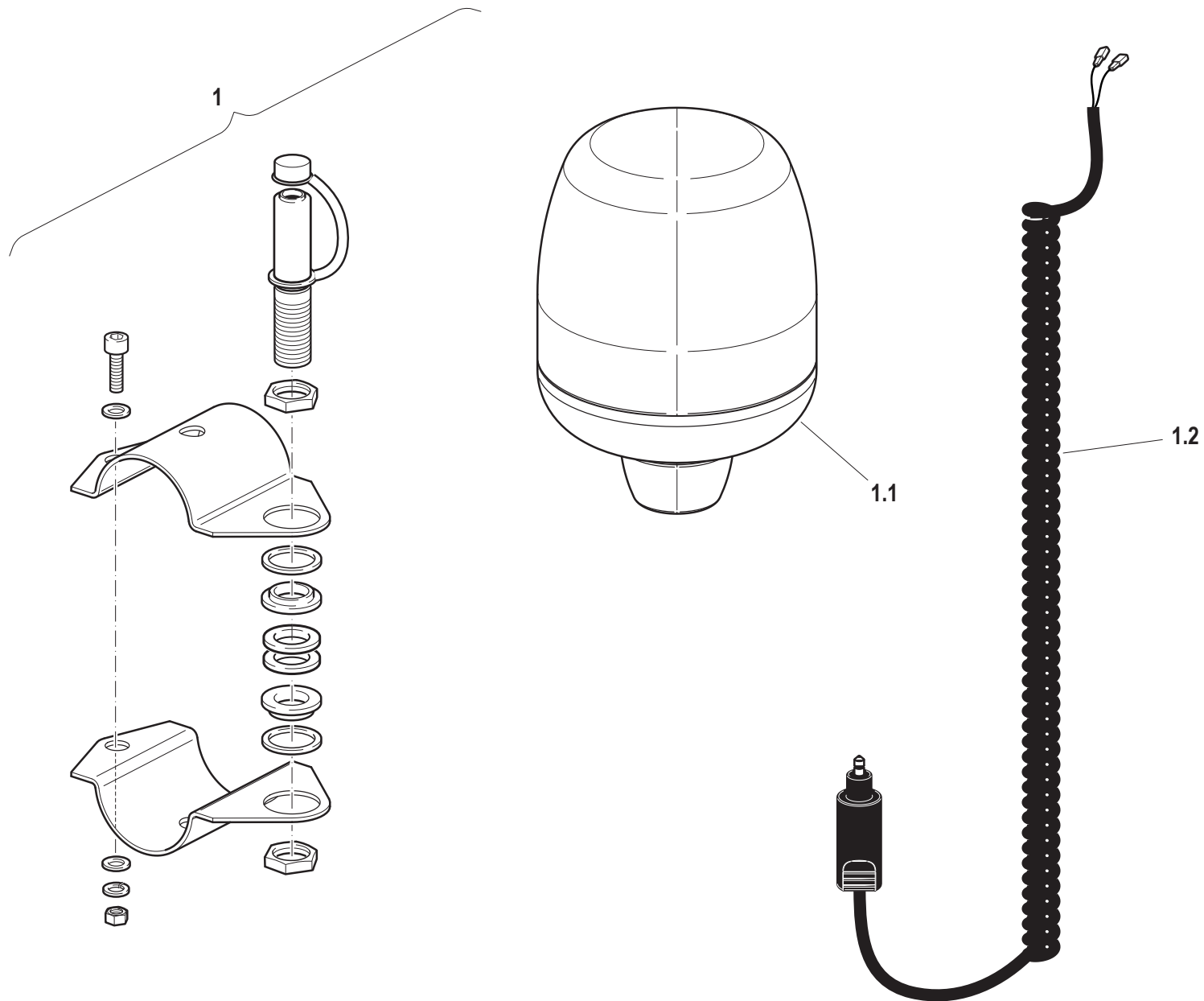
Pos.	Code	Q.ty	Description	Notes
12/2	31112446	1	SCREW TE M16X120UNI5737	
10.2	31411150	4	WASHER 15x28	
3.2	31411150	4	WASHER 15x28	
7	39118030	1	TURE 210/95R16(TL)RT 855 BKT	
9	39416021	1	INNER TUBE X 7.5L-15	
11	51176070	1	BALLAST	
4	56573708	5	WASHER D.28x14,5/3,5	
10.1	58175971	1	DISC	
10	58178909	1	RIM	
3.1	581A0619	1	5.50FX16 RIM FLANGE 5.50Fx16	
3	592A0616	1	RIM	
10.3	F0814751000	4	NUT M14	
3.3	F0814751000	4	NUT M14	
13	F0844084000	1	WASHER D.35x17/4	
1	F0848610000	1	TYRE 6.50-16 4PR	
8	F0848629000	1	TYRE 7.5L15 8PR	
6	F0848635000	1	TYRE 7.50-16 8PR	
2	F0848887000	1	INNER TUBE	
5/1	F0864176000	5	SPECIAL SCREW TE M14x1,5/25	
5/2	F0864192000	5	SCREW TE M14x1,5/35	
10.4	F0864200000	4	SCREW M14X35 UNI 5739	
3.4	F0864200000	4	SCREW M14X35 UNI 5739	
12/1	F0864364000	1	SCREW M16X60 UNI 5737	
12/3	F0864403000	1	SCREW M16X150 UNI 5737	

QUESTE VARIANTI NON SONO COMPATIBILI CON LE ZAVORRE RUOTE POSTERIORI  
 THESE VERSIONS ARE INCOMPATIBLE WITH THE REAR WHEELS COUNTERWEIGHTS  
 CES VARIANTES SONT INCOMPATIBLES AVEC LES COUNTERPOIDS ROUES ARRIÈRES  
 DIESE VARIANTEN SIND MIT DEN HINTERRADËR BALLASTEN UNVEREINBAR  
 ESTAS VARIANTES SON INCOMPATIBLES CON LOS CONTRAPESOS RUEDAS ANTERIORAS



Pos.	Code	Q.ty	Description	Notes
2.2	31411150	4	WASHER 15x28	
1	39118040	1	TYRE 260/70R16	
4	56573708	5	WASHER D.28x14,5/3,5	
2	58174453	1	RIM	
2.1	58175971	1	DISC	
7	58176203	1	RIM	
3	F0150010905	1	VALVE TR 415 D.16	
6	F0150010910	1	WHEEL 28X9.0-15/8 TLB3	
2.3	F0814751000	4	NUT M14	
5/1	F0864176000	5	SPECIAL SCREW TE M14x1,5/25	
5/2	F0864192000	5	SCREW TE M14x1,5/35	
2.4	F0864200000	4	SCREW M14X35 UNI 5739	

LAMPADA ROTANTE



Pos.	Code	Q.ty	Description	Notes
1.1	58177756	1	ROTARY WARN. LAMP	
1.2	58177759	1	CABLE	
1	92481555	1	FLASH LIGHT SET	